

Volkswagen Corrado 1990 - 1994

Body

Sunroof (Page GR-60)

Electrical cable drive

- [checking/adjusting](#)

Parallel alignment

- [checking/adjusting](#)

Slide/tilt sunroof

- [assembly](#)
- [assembly frame, installing](#)
- [assembly frame, removing](#)
- [installing](#)
- [removing](#)

Sunroof panel

- [adjusting](#)

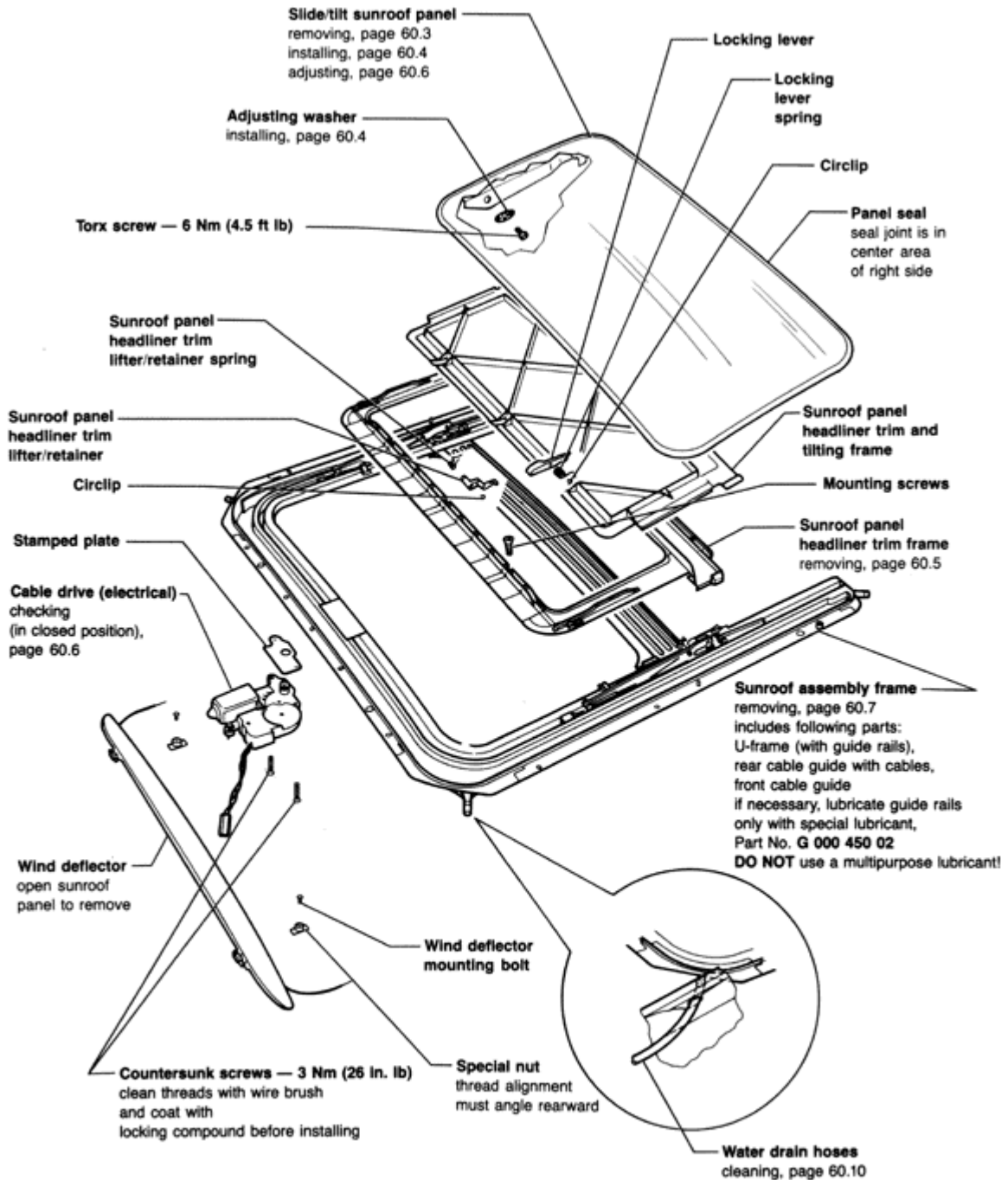
Sunroof panel headliner trim frame

- [removing](#)

Water drain hoses

- [cleaning](#)

Volkswagen Corrado 1990 - 1994
 Body
 Sunroof (Page 60-2)

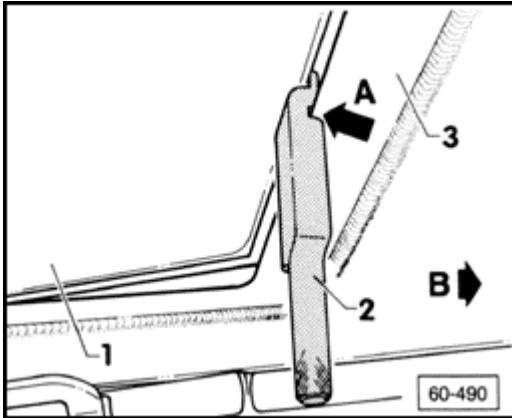


60-478

CAUTION!

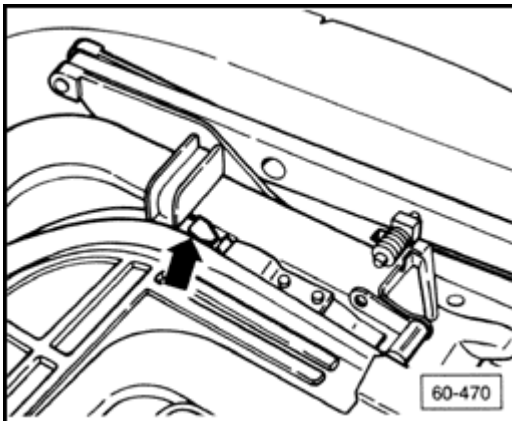
Part numbers are for reference only. Always consult your Parts Department for latest parts information.

Slide/tilt sunroof panel, removing



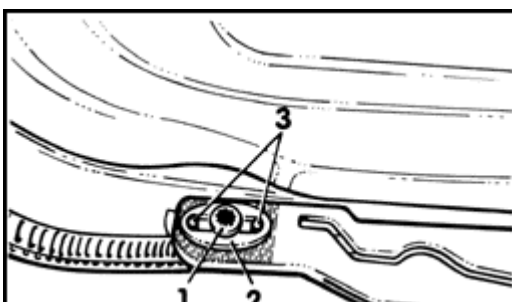
A

- tilt sunroof panel up
- insert special tool **3195** into sunroof opening
- pull headliner and tilting frame **1** down until special tool **2** engages headliner trim frame **3** (**arrow A**)
- disengage headliner trim frame from guide rails by hitting special tool **3195** backwards with palm of hand (**arrow B**)
- push back headliner trim frame until tool contacts edge of roof cutout



A

- remove special tool and manually push headliner trim frame to stop (**arrow**)



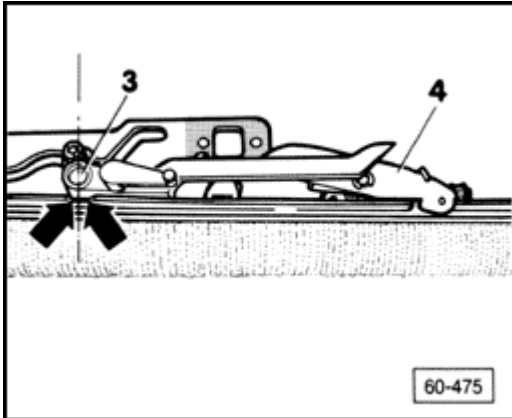
A

- remove mounting screw **1** (Torx) and adjusting washers **2** from locating pins **3**
- remove slide/tilt sunroof panel from above

Slide/tilt sunroof panel, installing

Sunroof panel operating mechanism must be in closed position before installing sunroof panel.

To determine closed position:

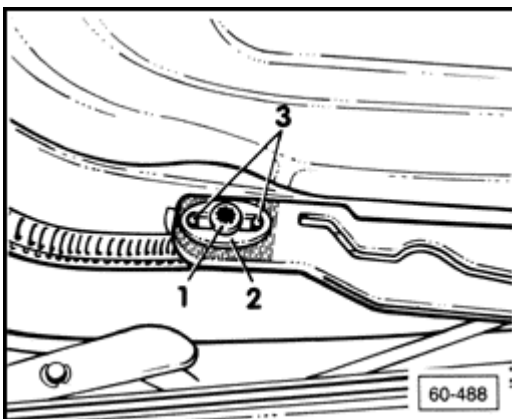


A

- pivots **3** must be within the marked area (**arrow**) and locking levers **4** must be engaged in the guide rails

If **NO**,

- adjust sunroof panel to closed position as specified in **Parallel alignment, checking/adjusting** below
- install slide/tilt sunroof panel from above and insert mounting screws for lever/panel



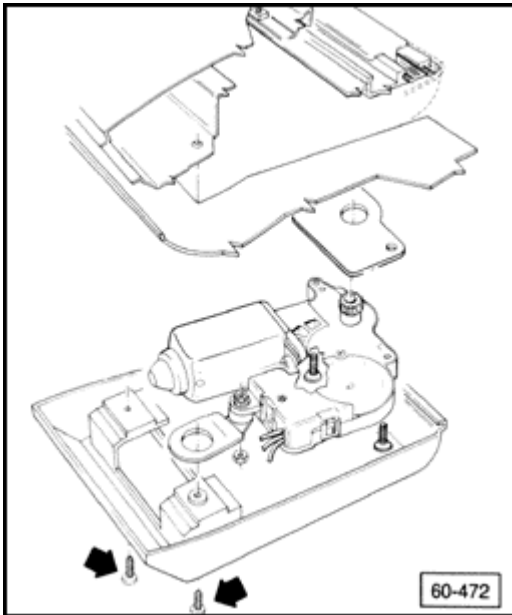
A

- position slot of adjusting washer **2** on locating pins **3** before tightening Torx screw **1**
- lightly tighten mounting screws **1** (Torx)
- adjust sunroof panel height (see [page 60-6](#))
- tighten mounting screws fully
 - 6 Nm (4.5 ft lb)
- install headliner frame onto guide rails

Parallel alignment, checking/ adjusting

Checking and adjusting parallel alignment can be performed with the sunroof panel either removed or installed, but the headliner trim frame must be shoved back.

- disconnect battery ground strap
- disengage headliner trim frame from guide rails using special tool **3195** and shove back to stop (see [page 60-3](#))
- pry off interior light



A

- remove screws (**arrows**) and remove sunroof cable drive cover
- remove cable drive mounting screws (countersunk) and lower cable drive
 - drive pinion must no longer mesh with cables

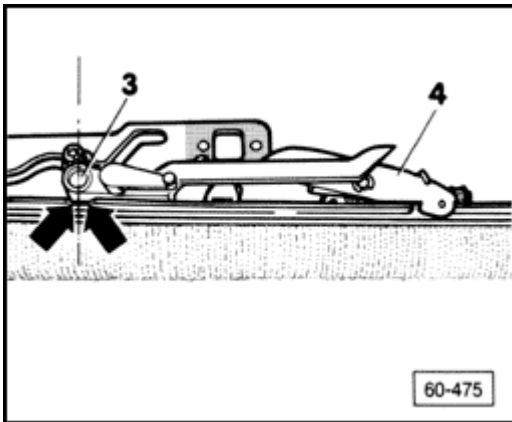
CAUTION!

Sunroof drive pinion must not be engaged when checking/adjusting parallel alignment.

Volkswagen Corrado 1990 - 1994

Body

Sunroof (Page 60-5)



A

- move rear guides with cables to rear and position pivots **3** within marked area (**arrows**)

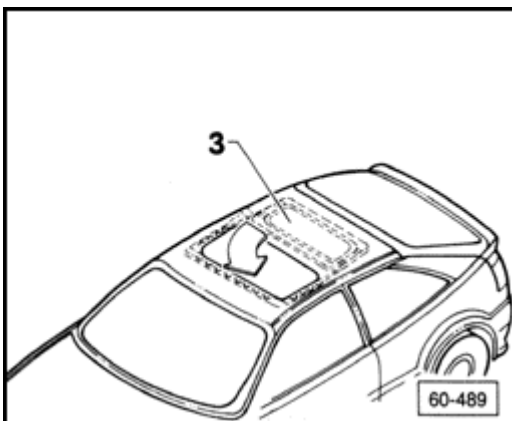
CAUTION!

When lining up rear guides and cables, always move guides from front of vehicle rearward to marked area. Do not move guides from rear of vehicle forward to marked area.

- engage locking levers **4** into guide rails
- check/adjust cable drive to closed position (see [page 60-6](#))
- clean cable drive mounting screws with wire brush and coat with thread locking compound
- install cable drive
 - 3 Nm (26 in. lb)
- install interior light and reconnect battery ground strap
- install headliner trim frame onto guides

Headliner trim frame, removing

- remove slide/tilt sunroof panel (see [page 60-3](#))



A

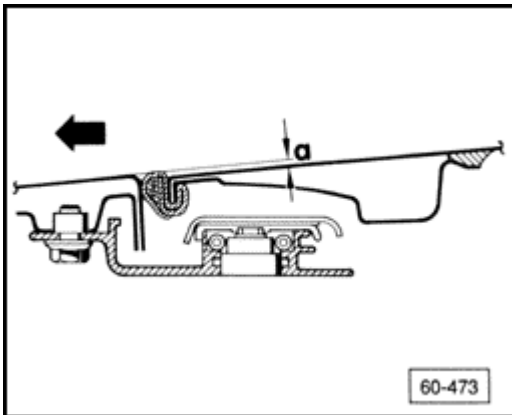
- slightly raise headliner trim frame **3**, rotate 90° (1/4 turn), and remove from roof

cutout from front

Sunroof panel, adjusting

Adjust height at front and back of sunroof lid to prevent wind noise.

- check parallel alignment of rear guides and cables and adjust if necessary, (see [page 60-4](#))
- always check height adjustment at edge of sunroof opening near center of vehicle

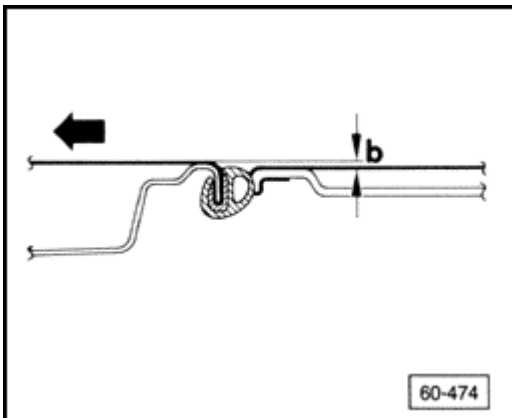


A

Front height, adjusting

a = 1 mm below roof line

arrow = front of vehicle



A

Rear height, adjusting

b = 1 mm above roof line

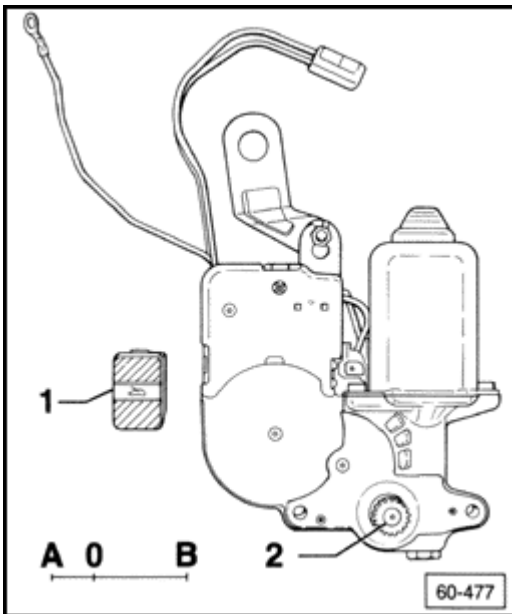
arrow = front of vehicle

Electrical cable drive, checking/ adjusting

When reinstalling cable drive, it must be installed in **closed position** (cable drive in closed position **and** sunroof panel in closed position)

▪

adjust slide/tilt sunroof panel to closed position, (see [page 60-4](#))



A

- actuate switch **1** and count drive pinion **2** revolutions:
 - closed position setting **0** of cable drive is between end stops **A** and **B**
 - end stop **B** is reached by turning drive pinion **2** clockwise
 - end stop **A** is reached by turning drive pinion **2** counter-clockwise
 - A** = end stop, sunroof tilt function; two turns clockwise of drive pinion to closed position **0**
 - B** = end stop, sunroof slide function; nine turns counterclockwise of drive pinion to closed position **0**
- actuate switch **1** and turn drive pinion **2**, two turns clockwise from position **A** or 9 turns counterclockwise from position **B** to obtain closed position **0**

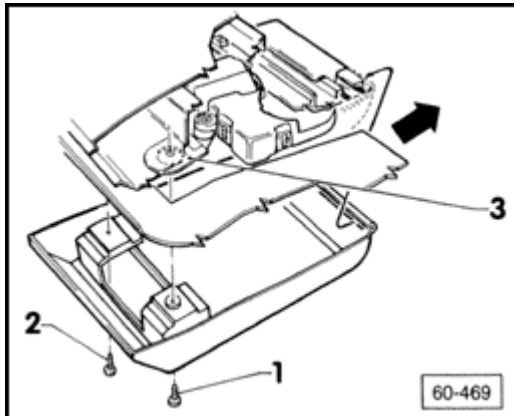
Volkswagen Corrado 1990 - 1994

Body

Sunroof (Page 60-7)

Slide/tilt sunroof assembly frame, removing

- disconnect battery ground strap
- remove interior light assembly



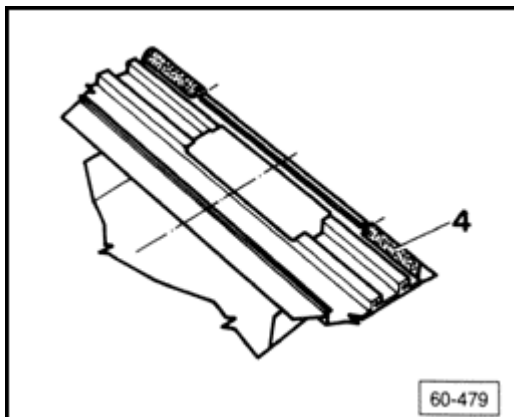
A

- remove screws **1** and **2** and pull off electric cable drive cover in direction of (**arrow**)

Notes

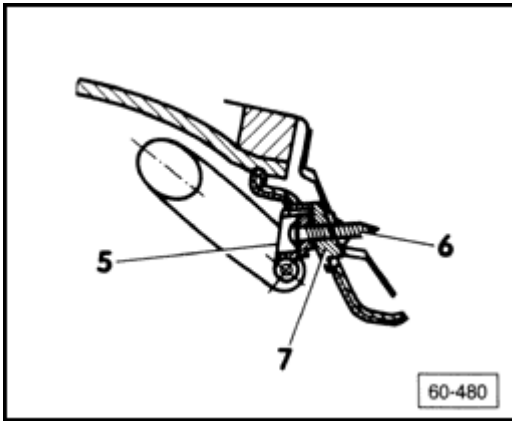
Screw 1 also secures bracket 3.

- remove left/right sunvisors



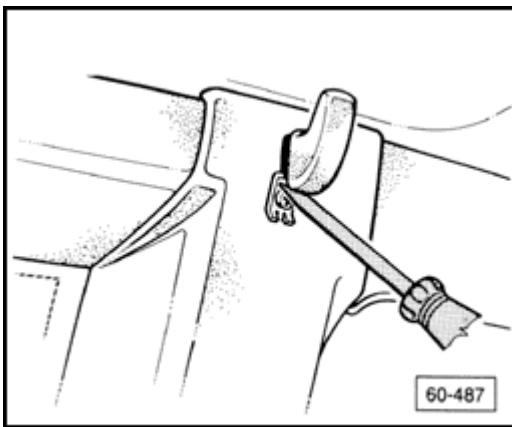
A

- remove perimeter sealing bead **4** from sunroof opening



A

- pry off cap 5, remove screw 6, and remove grab handle together with molded mounting base 7



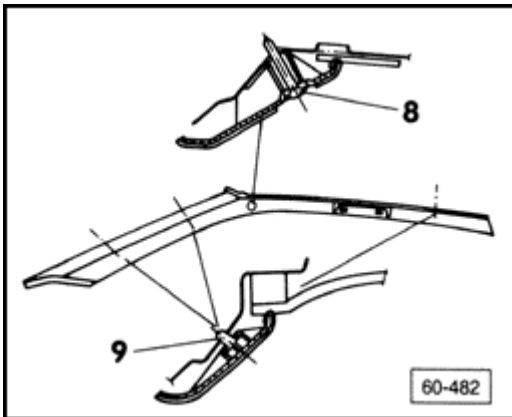
A

- carefully pry off clothes hook cover with screwdriver
- remove screw, remove clothes hook

Volkswagen Corrado 1990 - 1994

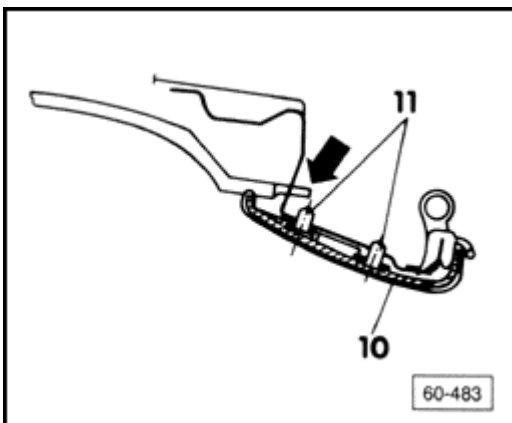
Body

Sunroof (Page 60-8)



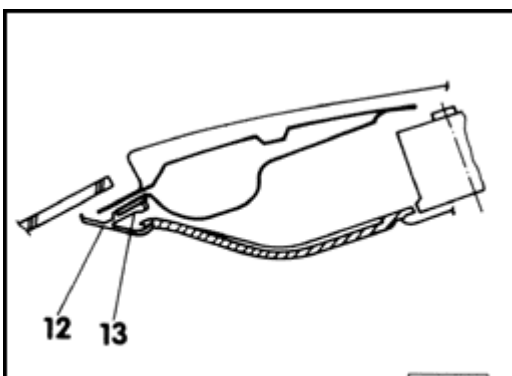
A

- remove screw **8** and pull off A-pillar trim from clips **9**
- remove seat belt guides
- pull off seat belt height-adjuster knobs
- remove rear side panels
- remove B-pillar trim
- pull off C-pillar trim in area of contact with headliner



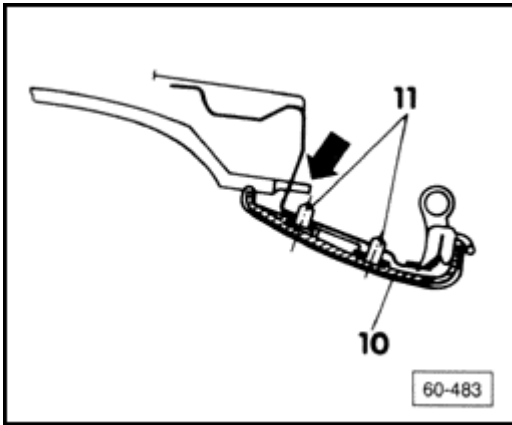
A

- pry off rear header trim **10** from clips **11**



A

- pry off front header trim **12** from U-clips **13**



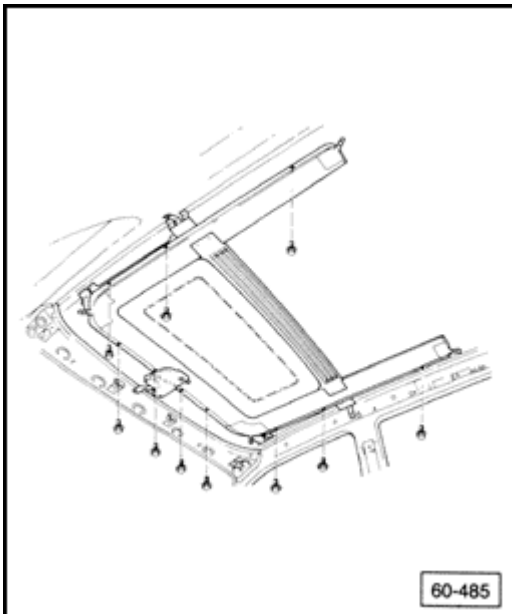
A

- lower headliner and pull forward slightly to pull rear tab (**arrow**) from roof reinforcement
- remove headliner through rear lid opening

Volkswagen Corrado 1990 - 1994

Body

Sunroof (Page 60-9)



A

- disconnect water drain hoses from sunroof assembly frame
- remove electric cable drive
- remove sunroof panel from above (for easier panel frame installation) (see [page 60-3](#))
- remove hex head bolts and pull out assembly frame with help of an assistant

Slide/tilt sunroof assembly frame, installing

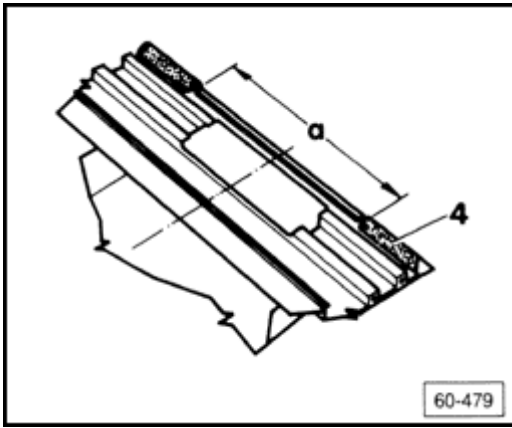
- install sunroof assembly frame and tighten hex head mounting bolts
 - 7.5 Nm (6.0 ft lb)
- install sunroof lid (see [page 60-4](#))
- adjust electric cable drive to closed position (see [page 60-6](#))
- install electric cable drive
- install water drain hoses to sunroof assembly frame
- install one-piece molded headliner so that rear tabs engage roof reinforcement

Notes

If a functional test of the sunroof is to be performed without the headliner, first install the sunroof perimeter sealing bead. (see below).

- install front header trim
- install rear header trim
- install A-pillar, B-pillar, and C-pillar trim
- install seat belt guides and height-adjuster knobs
- install clothes hook

- install grab handle

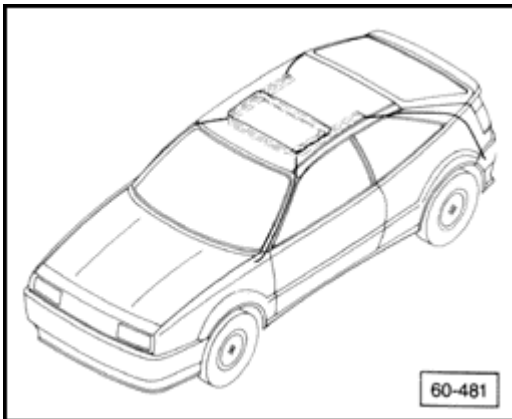


- install sunroof opening perimeter sealing bead **4** leaving gap **a** in the area of the electric cable drive
 - gap area is denoted by notches in frame
 - **a** = 180 mm (7.0 in)
- install left and right sunvisors
- install electric cable drive cover
- install interior light
- connect battery ground strap

Volkswagen Corrado 1990 - 1994

Body

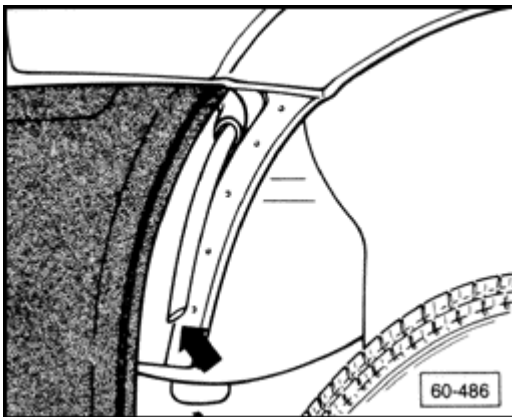
Sunroof (Page 60-10)



Water drain hoses, cleaning

Front water drain hoses are routed through the A-pillars and discharge between the front wheelhousing and wheelhousing liner. Rear water drain hoses are routed through the C-pillars and discharge behind the rear bumper corners on side of vehicle.

- clean front drain hoses through sunroof opening



A

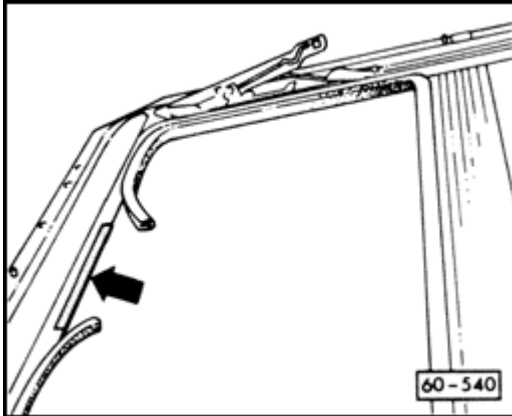
- clean rear drain hoses from lower end of hose (**arrow**)
- remove rear bumper to access rear drain hose

Notes

For cleaning, it is recommended that an auxiliary tool be used - for example, a 230 cm (90.5 in) long probe fabricated from the cores of speedometer cables

Sunroof noises, eliminating

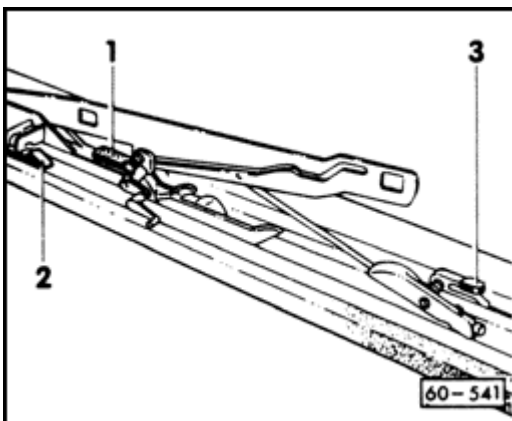
Motor cover not seated on assembly, repairing



- remove cover, pull assembly unit panel seal off, as shown
- apply textile tape (**arrow**) at cross hatched area as shown
 - if tape already installed, replace

CAUTION!

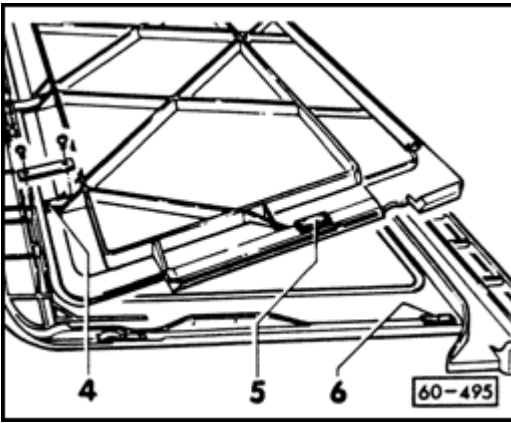
Part numbers are listed for reference only. Always consult with the Parts Department for latest information.



Front guide, guide plates, lifter mechanism hook mounting does not have insulation

- remove frame portion of headlining
- check felt strips **1**, plastic covers **2**, **3** for damage
 - replace as required
- apply felt strip **1** Part No. **533 863 288A**, cut to 10 mm (25/64 in.) x 20 mm (25/32 in.) x 3.0 mm (1/8 in.) in position

- repair plastic covers **2, 3** by installing covering with cloth or textile tape



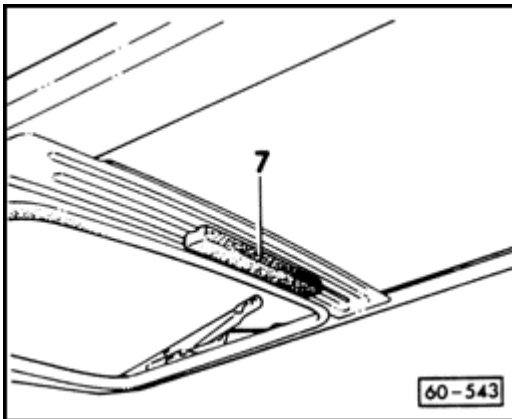
Sunroof panel headliner trim frame insulation, installing

- remove frame position
- check if felt strips **4** (under springs), **5, 6** are installed

If **NO**:

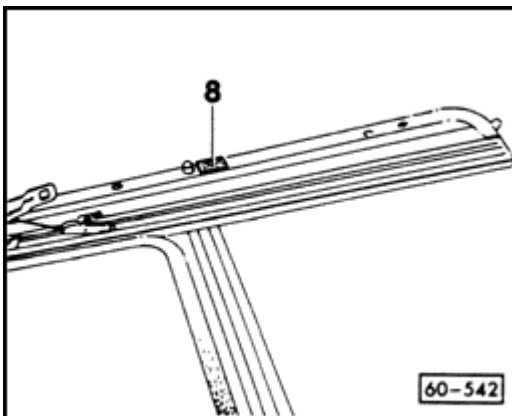
- install felt strips, Part, No. **533 867 910A** 1.0 mm (3/64 in.) thick

Volkswagen Corrado 1990 - 1994
Body
Sunroof (Page 60-12)



Headliner contacts assembly unit, repairing

- pull off panel seal
- press headlining down at rear
- ensure sealing strip **7**, is positioned between rear assembly unit member and headliner
 - replace with felt of equivalent thickness



Assembly unit does not contact roof frame, repairing

- remove assembly unit
- check if felt **8** stuck at guide pin areas
- if felt **8** stuck, install new piece of felt 20 mm (25/32 in.) x 20 mm (25/32 in.), 1.0 mm (3/64 in.)