

Volkswagen Corrado 1990 - 1994

Body

Bumpers (Page GR-63)

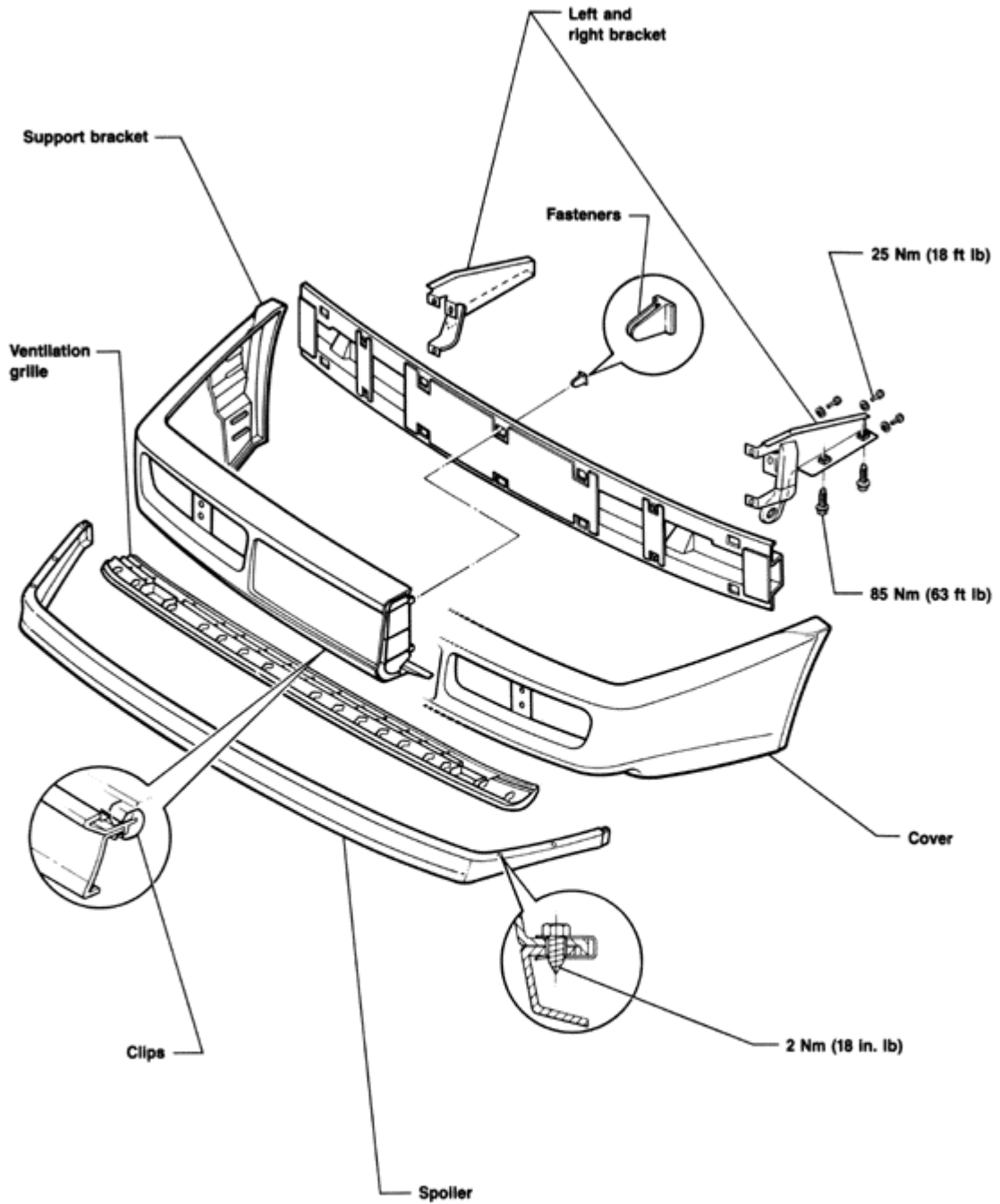
Front bumper

- [assembly](#)
- [gap dimension](#)
- [removing/installing](#)

Rear bumper

- [assembly](#)
- [gap dimension](#)
- [removing/installing](#)

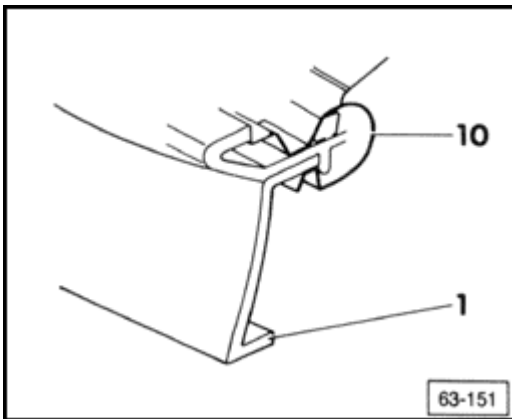
Volkswagen Corrado 1990 - 1994
Body
Bumpers (Page 63-2)



Front bumper, removing

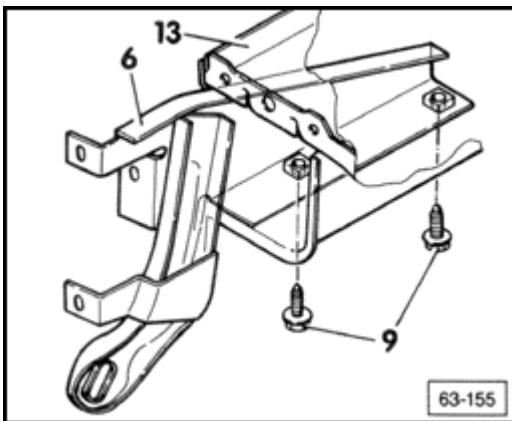
WARNING!

DO NOT drive vehicle without the front bumper and brackets installed. Subframe is NOT properly secured with bumper removed.



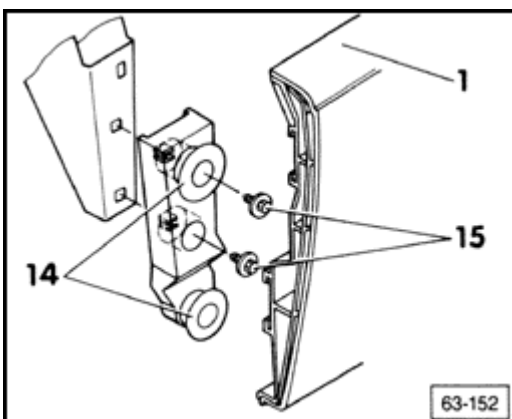
A

- remove clips **10** between cover **1** and front engine mount



A

- remove bolts **9** from engine mount **13** and bracket **6**



A

- pull bumper **1** forward out of plastic retainers **14** (requires two mechanics)
 - bolts **15** tightening torque = 2 Nm (18 in. lb)
- pry fasteners out of plastic clips with screwdriver
- remove support bracket from cover

Front bumper, installing

Notes

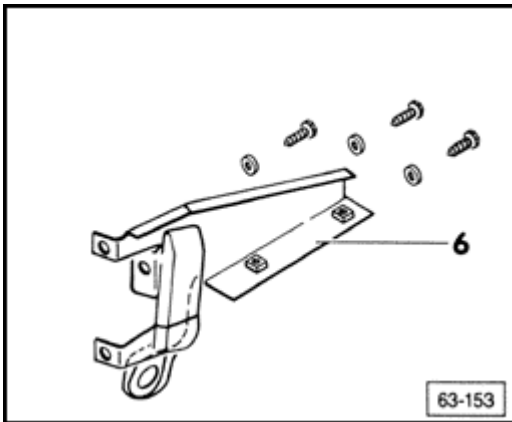
Install front bumper in reverse order of removal procedure, noting the following:

- press cover and bumper together
- begin at center of bumper and push both parts together until all plastic clips snap into place
- bolts **9** (see Fig. 63-155) tightening torque = 85 Nm (63 ft lb)

Volkswagen Corrado 1990 - 1994

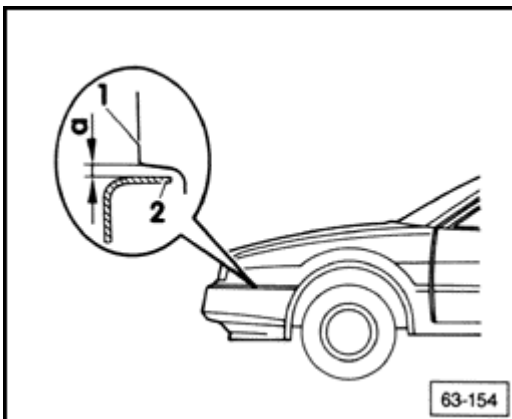
Body

Bumpers (Page 63-4)



A

- when replacing bracket **6**, attach it centered on support bracket in order to adhere to the gap dimension **a** = 8 mm (5/16 in.) between the bumper cover and fender



A

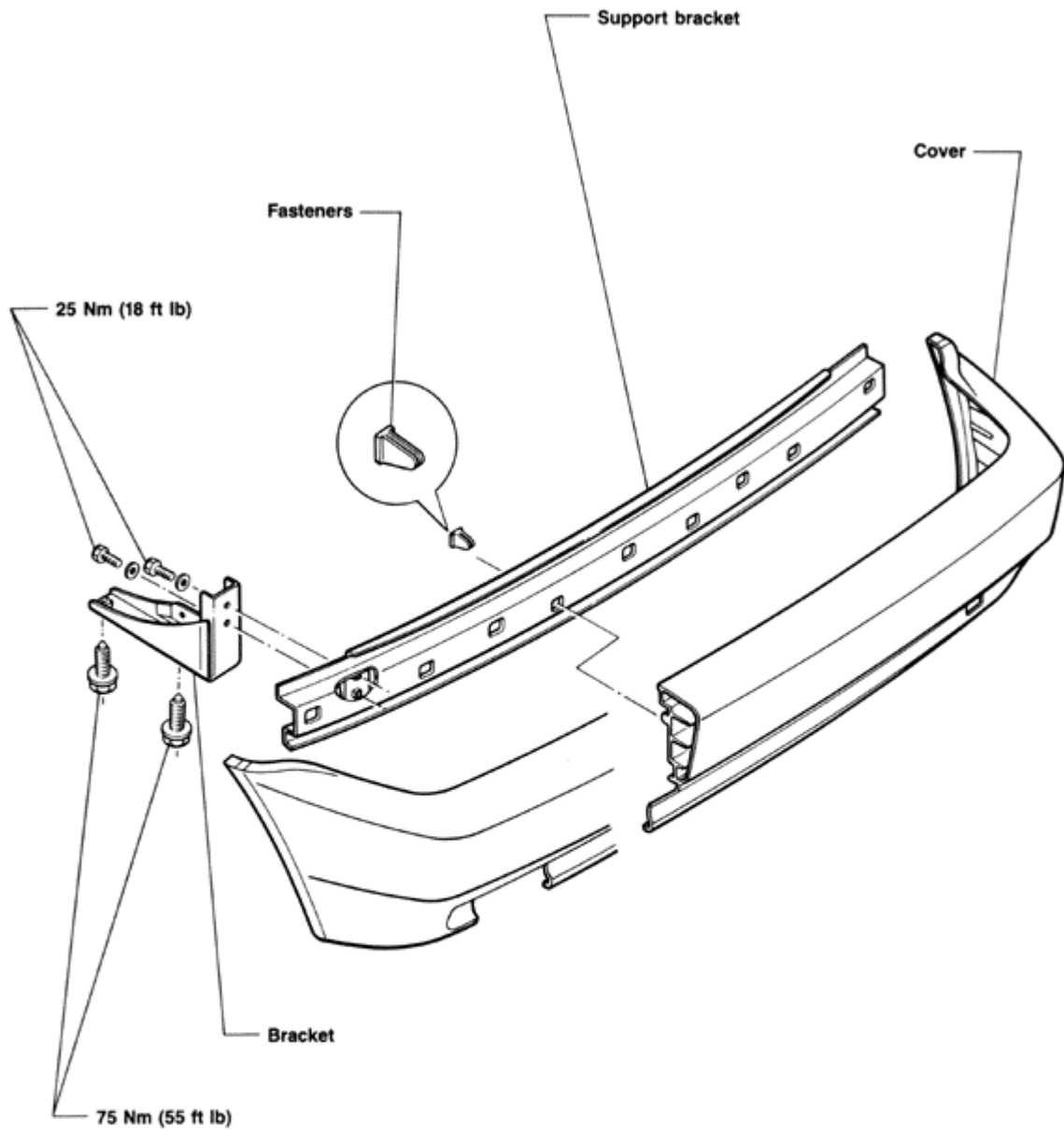
Gap dimension, fender to bumper

1 - fender

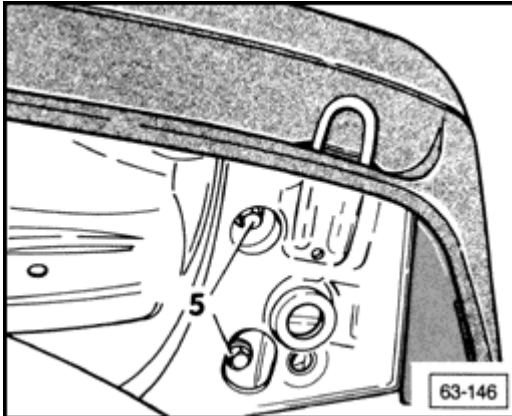
2 - bumper cover

a = 8 mm (5/16 in.)

Volkswagen Corrado 1990 - 1994
Body
Bumpers (Page 63-5)

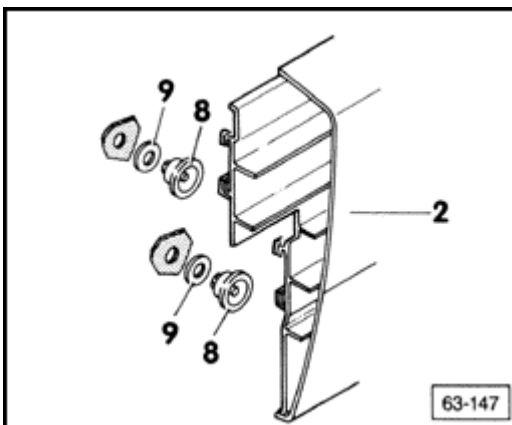


Rear bumper, removing



A

- remove bolts **5** from trunk floor area



A

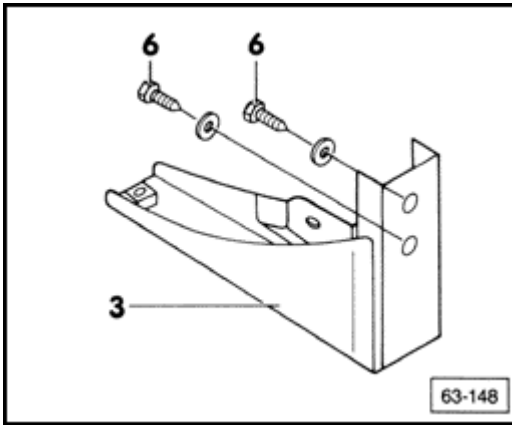
- pull bumper **2** rearward out of plastic retainers **8** (two mechanics required)
 - 8** - plastic retainer
 - 9** - seals
- pry fastener out of plastic retainers with screwdriver and remove support bracket from cover

Rear bumper, installing

Notes

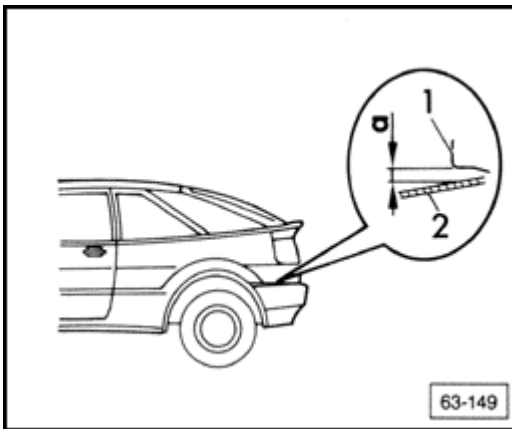
Install rear bumper in reverse order of removal procedure, noting the following:

- press cover and bumper together
 - begin at center of bumper and push both parts together until all plastic clips snap into place
 - bolt **5** (see Fig. 63-146) tightening torque = 75 Nm (55 ft lb)



A

- when replacing bracket **3**, attach it while centered on support bracket in order to adhere to gap dimension $a = 8 \pm 1$ mm ($5/16 \pm 3/64$ in.) between cover and quarter panel
- bolts. **6** tightening torque = 25 Nm (18 ft lb)



A

Gap dimension, fender to bumper

- 1 - quarter panel
- 2 - bumper cover
- $a = 8.0$ mm ($5/16$ in.)