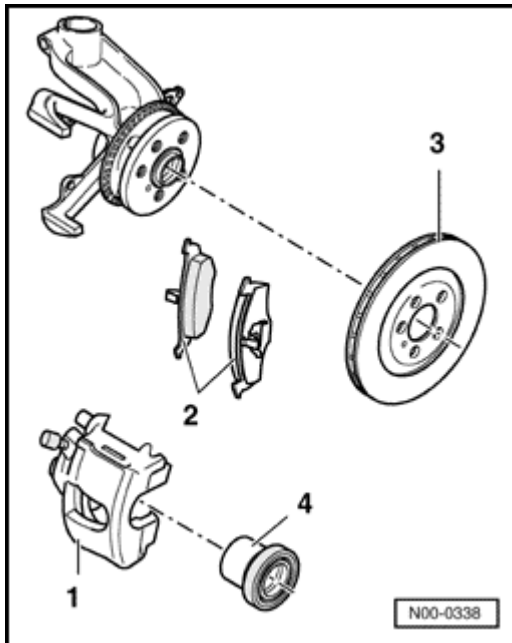


Volkswagen Jetta, Golf, GTI 1999, 2000
Brake System
 Technical data (Page 00-1)

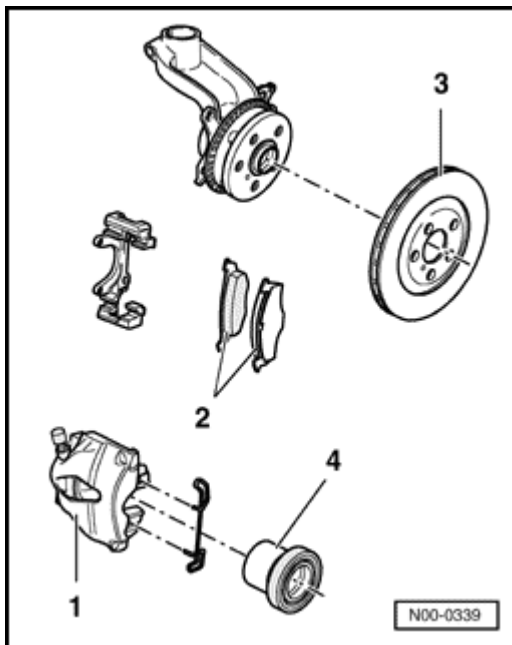
Brakes



Vehicles with FS III front brake calipers

Position			
	Capacity		2.0 Liter, 1.9Liter TDI
	Output	kW (hp)	85 (115), 66 (90)
	ABS		standard
	Master cylinder dia.	mm (in.)	23.81 (0.937)
	Brake booster dia.	in.	10
1	Brake caliper		FS III
2	Brake pad thickness	mm (in.)	14 (0.55)
3	Brake disc dia.	mm (in.)	280 (11.02)
	Brake disc thickness	mm (in.)	22 (0.87)
4	Caliper piston dia.	mm (in.)	54 (2.13)

Volkswagen Jetta, Golf, GTI 1999, 2000
Brake System
 Technical data (Page 00-2)

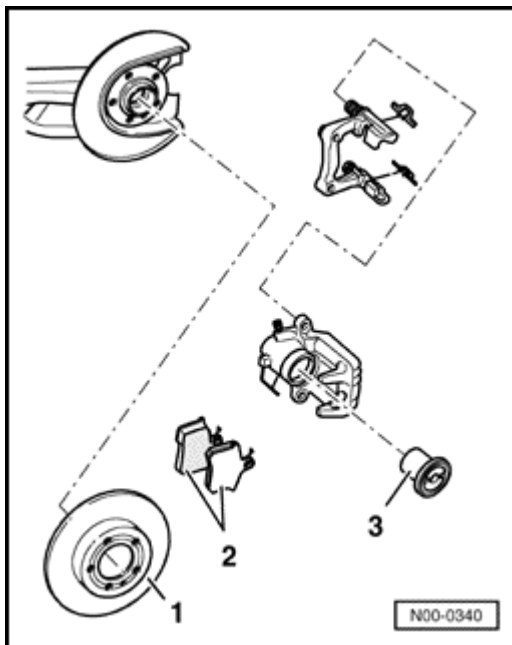


A

Vehicles with FN 3 front brake calipers

Position			
	Capacity		2.8 Liter
	Output	kW (hp)	130 (175)
	ABS		standard
	Master cylinder dia.	mm (in.)	23.81 (0.937)
	Brake booster dia.	in.	10
1	Brake caliper		FN 3
2	Brake pad thickness	mm (in.)	14 (0.55)
3	Brake disc dia.	mm (in.)	288 (11.34)
	Brake disc thickness	mm (in.)	25 (0.98)
4	Caliper piston dia.	mm (in.)	54 (2.13)

Volkswagen Jetta, Golf, GTI 1999, 2000
Brake System
 Technical data (Page 00-3)



A

Vehicles with rear disc brakes

Position			
	Capacity		2.0 Liter, 1.9 Liter TDI, 2.8 Liter
	Output	kW (hp)	85 (115), 66 (90), 130 (175)
	ABS		standard
	Master cylinder dia.	mm (in.)	23.81 (0.937)
	Brake booster dia.	in.	10
1	Brake disc dia.	mm (in.)	232 (9.13)
	Brake disc thick- ness	mm (in.)	9 (0.35))
2	Brake pad thickness	mm (in.)	12 (0.47)
3	Caliper piston dia.	mm (in.)	38 (1.50)