

Volkswagen Jetta, Golf, GTI 1999, 2000
Brake System
46 Brakes - Mechanical Components (Page GR-46)

Front brakes

[Brake pads, removing and installing](#)

[Brake pads, removing and installing](#)

[FN 3 brake caliper, servicing](#)

[FS III brake caliper, servicing](#)

Rear wheel brakes

[Brake pads, removing and installing](#)

[Disc brakes, servicing](#)

[Parking brake, adjusting](#)

Parking brake cables, removing and installing

Parking brake lever, components

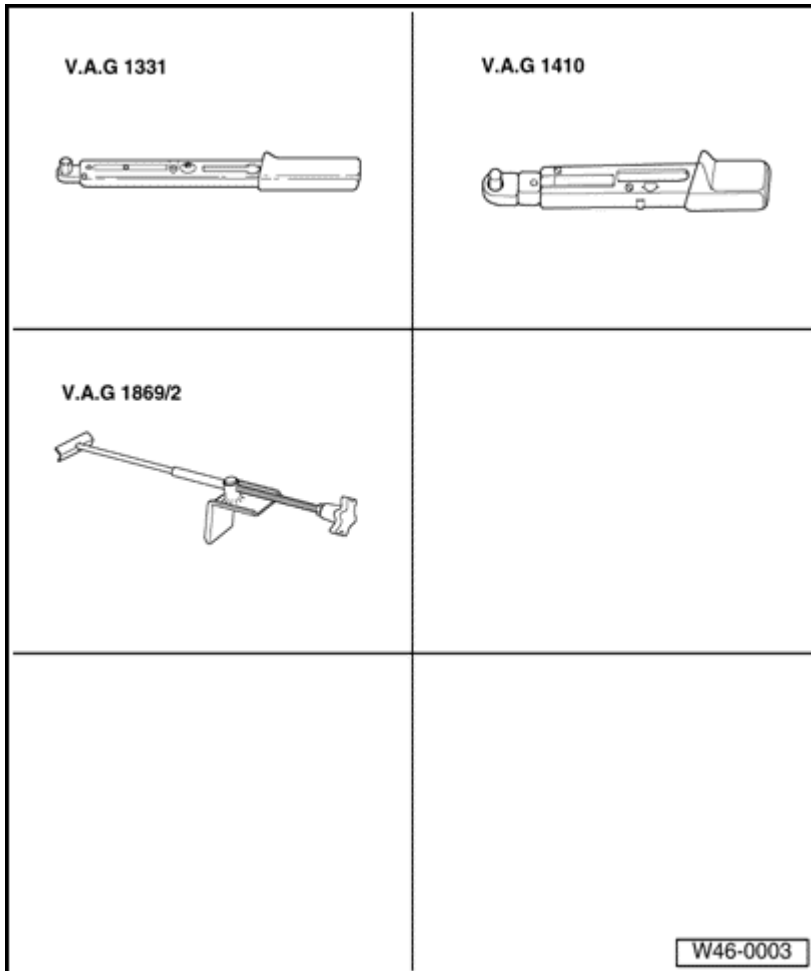
Brake pedal, assembly overview

[Brake pedal to brake booster, disconnecting and connecting](#)

[Brake pedal, removing and installing](#)

Volkswagen Jetta, Golf, GTI 1999, 2000
Brake System
Front brakes (Page 46-1)

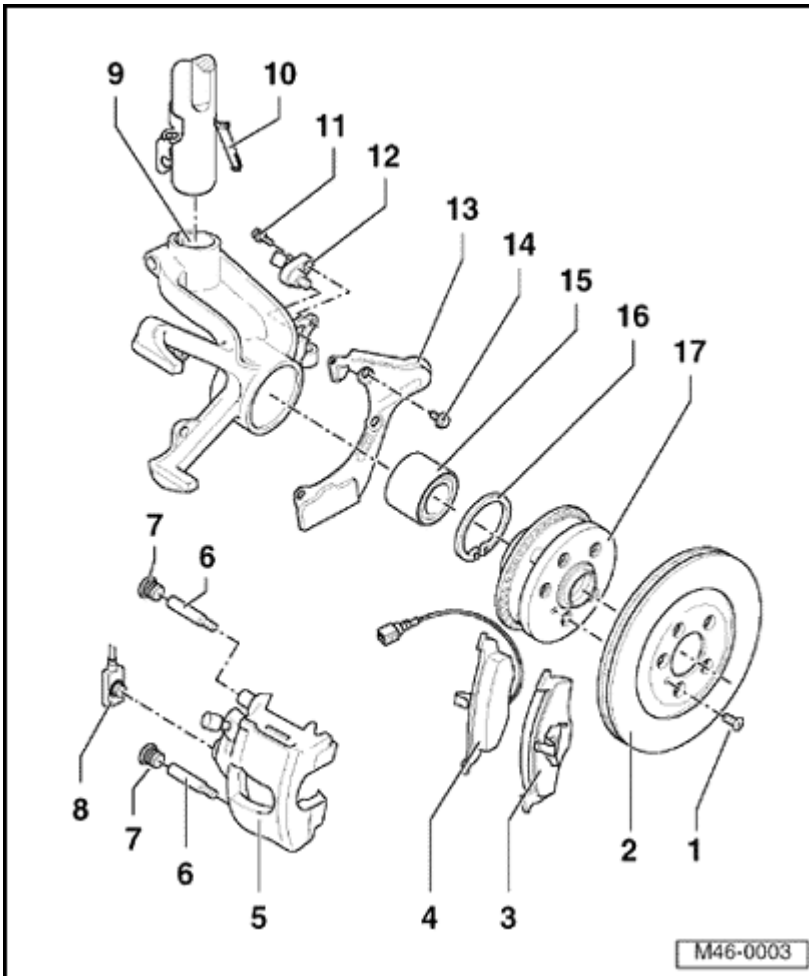
FS III brake caliper, servicing



Special tools and equipment

- ◆ VAG 1331 Torque wrench or equivalent
- ◆ VAG 1410 Torque wrench or equivalent
- ◆ VAG 1869/2 Brake pedal depressor or equivalent

Volkswagen Jetta, Golf, GTI 1999, 2000
Brake System
Front brakes (Page 46-2)

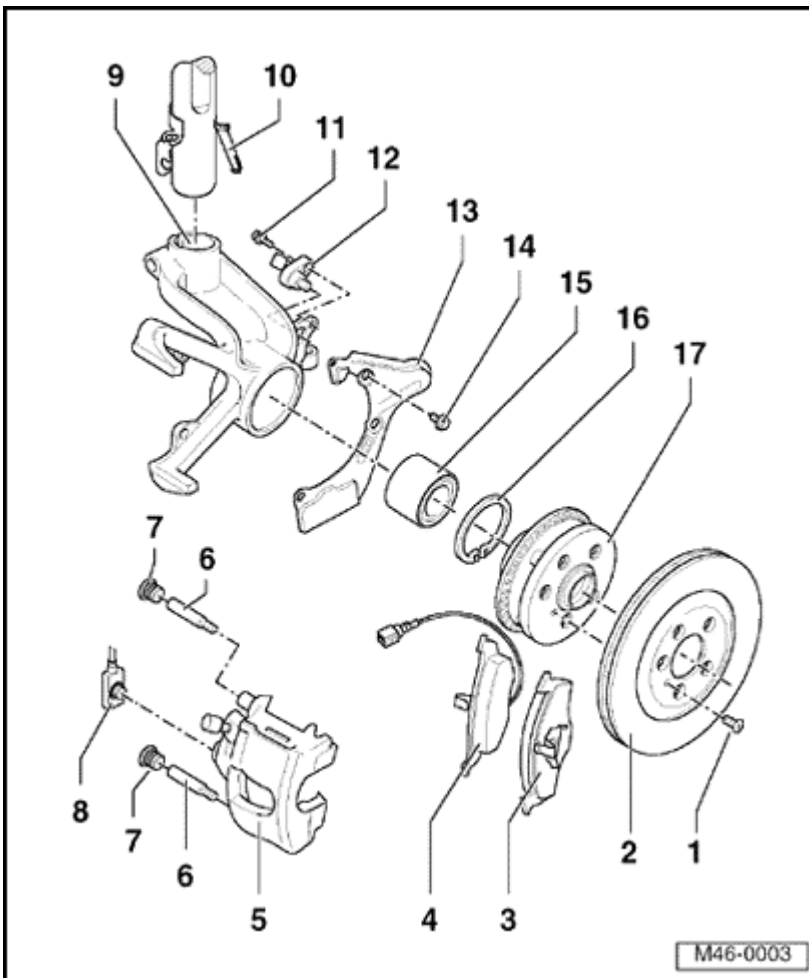


Notes:

- ◆ *After replacing brake pads, depress the brake pedal firmly several times with the vehicle stationary so that the brake pads are properly seated in their normal operating position.*
- ◆ *To draw off brake fluid from the reservoir, use a bleeder bottle which is used only for brake fluid. Brake fluid is poisonous and must not be siphoned out by mouth!*
- ◆ *Before removing a caliper or disconnecting a brake hose to the caliper, install the brake pedal depressor VAG 1869 or equivalent.*

1 - Screw, 4 Nm (35 in. lb)

Volkswagen Jetta, Golf, GTI 1999, 2000
Brake System
Front brakes (Page 46-3)



2 - Brake disc

- ◆ Thickness when new: 22 mm
- ◆ Wear limit: 20 mm (0.787 in.)
- ◆ When worn always replace on both sides
- ◆ Remove brake caliper prior to removing brake disc
- ◆ Never remove brake discs from hub by force. If necessary use penetrating fluid, otherwise brake discs can be damaged.

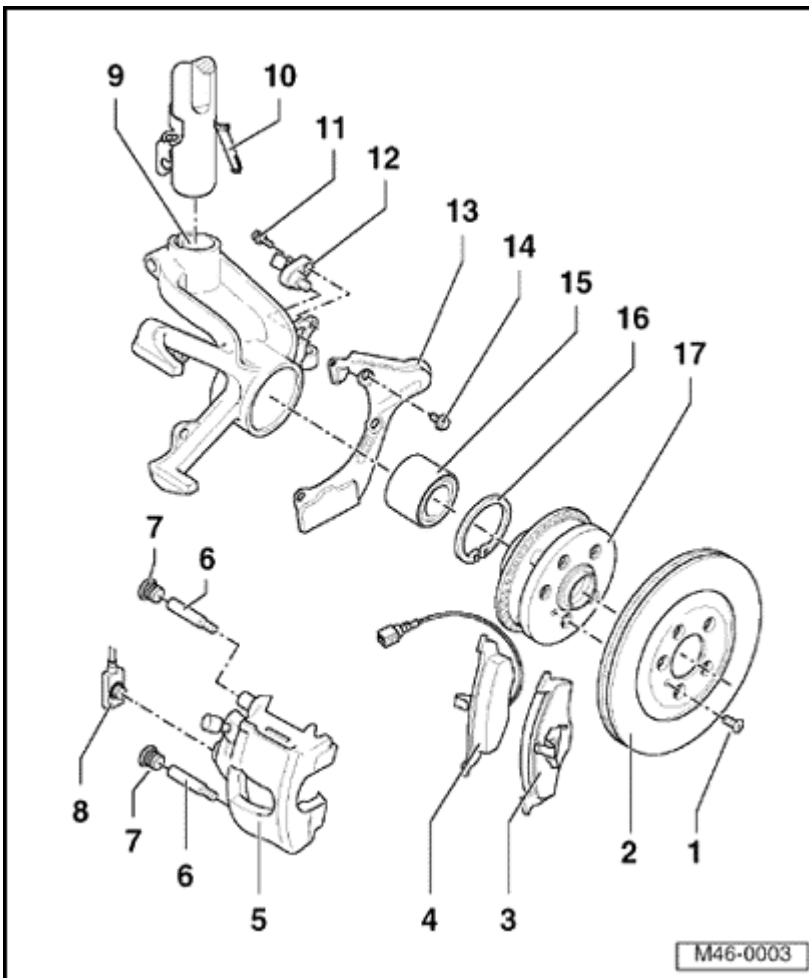
3 - Exterior brake pad

- ◆ Thickness: 14 mm
- ◆ Always replace brake pads on same axle on both sides of vehicle at same time
- ◆ Removing and installing ⇒ [Page 46-7](#)

4 - Interior brake pad

- ◆ Thickness: 14 mm
- ◆ Always replace brake pad on front left axle
- ◆ Removing and installing ⇒ [Page 46-7](#)
- ◆ From 2000 ➤ left wheel brake pad has pad wear indicator

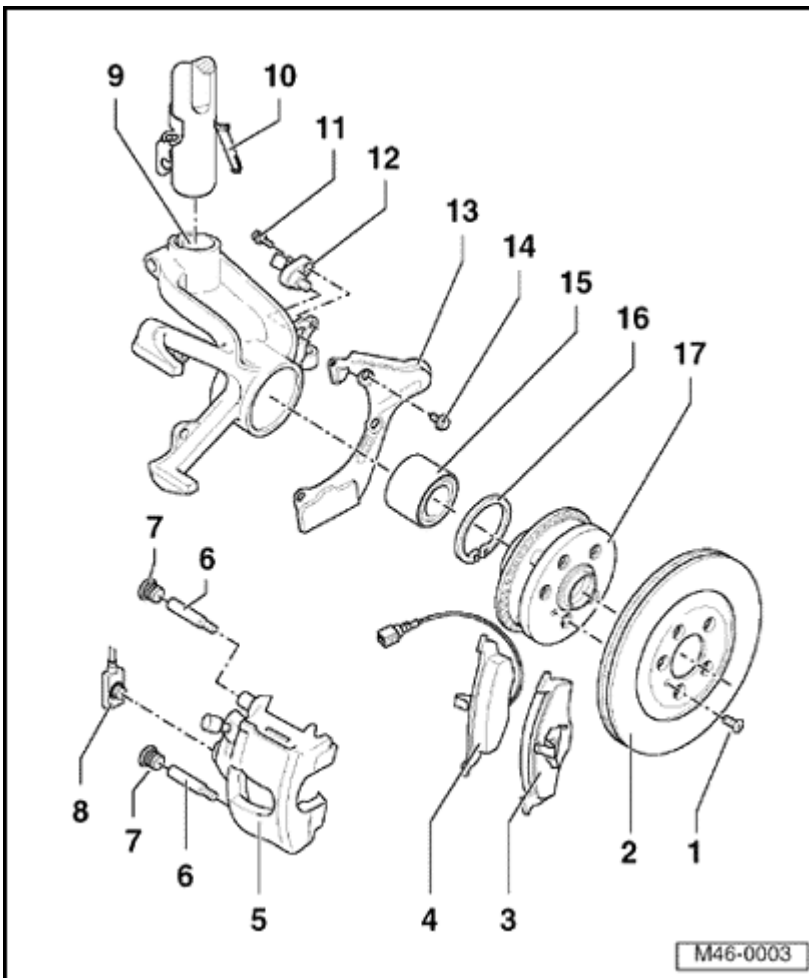
Volkswagen Jetta, Golf, GTI 1999, 2000
Brake System
Front brakes (Page 46-4)



5 - Brake caliper

- ◆ When replacing brake pads do not disconnect brake hose to caliper
 - ◆ Removing:
 - Remove brake pads -3- and -4- ⇒ [Page 46-7](#)
 - Install brake pedal depressor VAG 1869/2 or equivalent
 - Disconnect brake hose connection -8- from brake caliper
 - ◆ Installing
 - Install brake pads -3- and -4- ⇒ [Page 46-8](#)
 - Connect brake hose connector -8- to caliper
 - Remove brake pedal depressor
 - Bleed brake system
- ⇒ [Repair Manual, Brake System, ABS, ABS/EDL, Repair Group 47](#)

Volkswagen Jetta, Golf, GTI 1999, 2000
Brake System
Front brakes (Page 46-5)



6 - Guide pins, 28 Nm (21 ft lb)

7 - Protective cap

- ◆ Take off

8 - Brake hose and union with banjo bolt, 35 Nm (26 ft lb)

9 - Wheel bearing housing

10 - Pad wear sensor connector bracket

- ◆ It is not necessary to remove harness connector from connector bracket when replacing brake pad with pad wear sensor

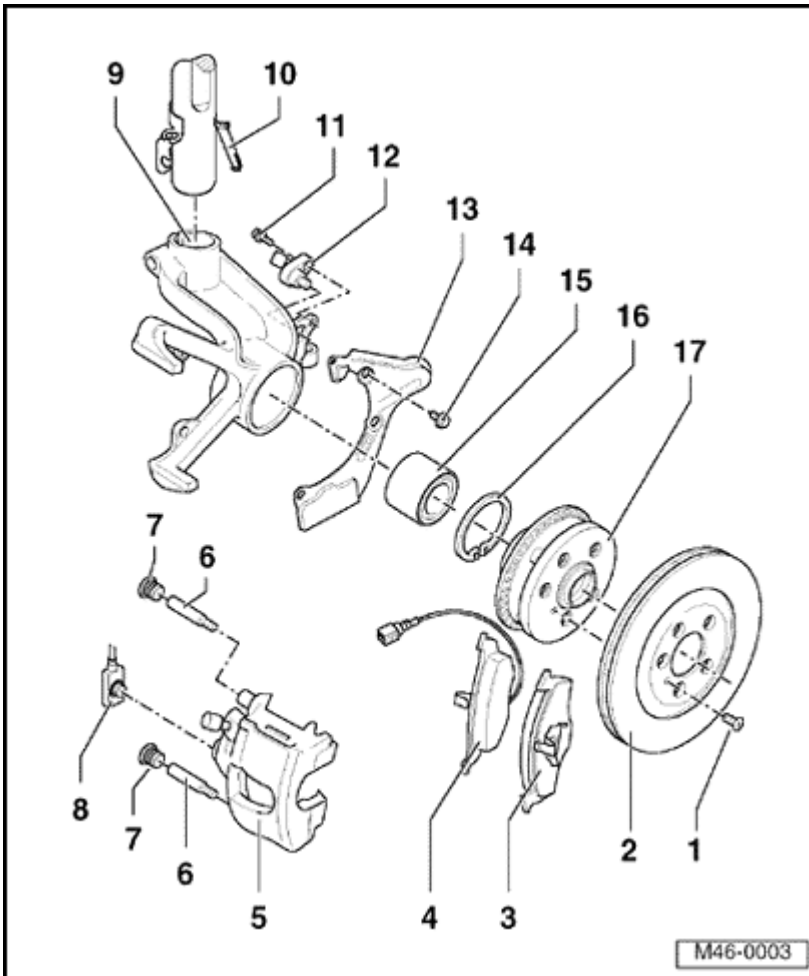
11 - Hex socket head bolt, 8 Nm (70 in. lb)

12 - ABS wheel speed sensor

- ◆ Before inserting sensor, clean mounting hole inner surface and coat speed sensor with lubricant G 000 650

13 - Splash shield

Volkswagen Jetta, Golf, GTI 1999, 2000
Brake System
Front brakes (Page 46-6)



14 - Hex bolt, 10 Nm (7 ft lb)

15 - Wheel bearing

- ◆ Replace each time if removed
- ◆ Pressing out and in

⇒ [Repair Manual, Suspension, Wheels, Steering, Repair Group 40](#)

16 - Circlip

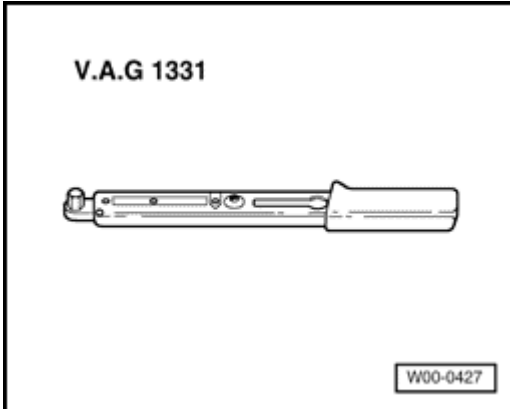
17 - Wheel hub with ABS wheel speed sensor rotor

- ◆ Pressing out and in

⇒ [Repair Manual, Suspension, Wheels, Steering, Repair Group 40](#)

Volkswagen Jetta, Golf, GTI 1999, 2000
Brake System
Front brakes (Page 46-7)

Brake pads, removing and installing



Special tools and equipment required

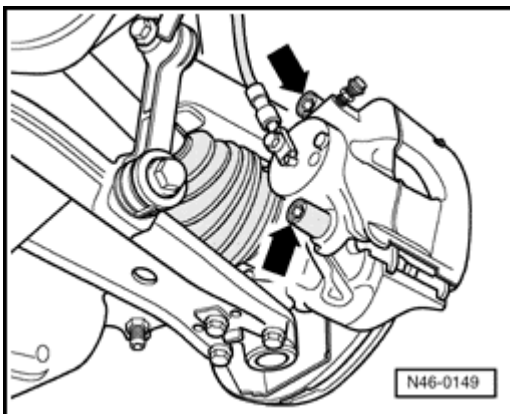
- ◆ VAG 1331 Torque wrench or equivalent
- ◆ Piston resetting tool

Additional information

- ◆ [Repair Manual, Suspension, Wheels, Steering](#)

Removing

- Remove protective caps.



- Remove both guide pins (arrows) from brake caliper.
- Remove brake caliper housing and secure with wire so that weight of caliper does not stress or damage brake hose.
- Remove brake pads from brake caliper housing or from brake carrier.

Volkswagen Jetta, Golf, GTI 1999, 2000

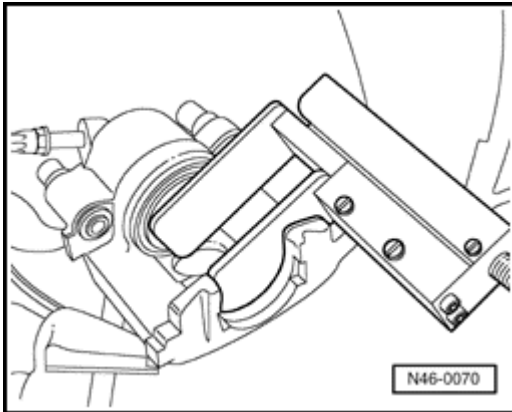
Brake System

Front brakes (Page 46-8)

Installing

Notes:

Before inserting new brake pads, press the piston back into the cylinder with the piston resetting tool. Before pressing the piston back, draw off brake fluid from the reservoir with a bleeder bottle. Otherwise, particularly if the brake fluid reservoir has been topped up, fluid will overflow and cause damage.

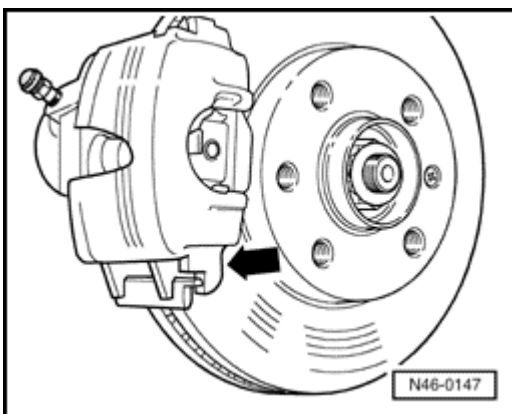


A

- Press piston back.
- Insert brake pad with retaining spring in brake caliper housing.

Directional brake pads

Directional brake pads are installed on some vehicles. The inside brake pad (next to caliper piston) is colored white on the back side. The outside brake pad (with 3-fingered clip) has a black coloring on the back side.



A

- Install brake caliper housing with brake pads to wheel bearing housing.

Notes:

- ♦ *Locate lower brake caliper housing (arrow) first.*
- ♦ *The brake caliper housing tab (arrow) must be behind the wheel bearing housing*

guide.

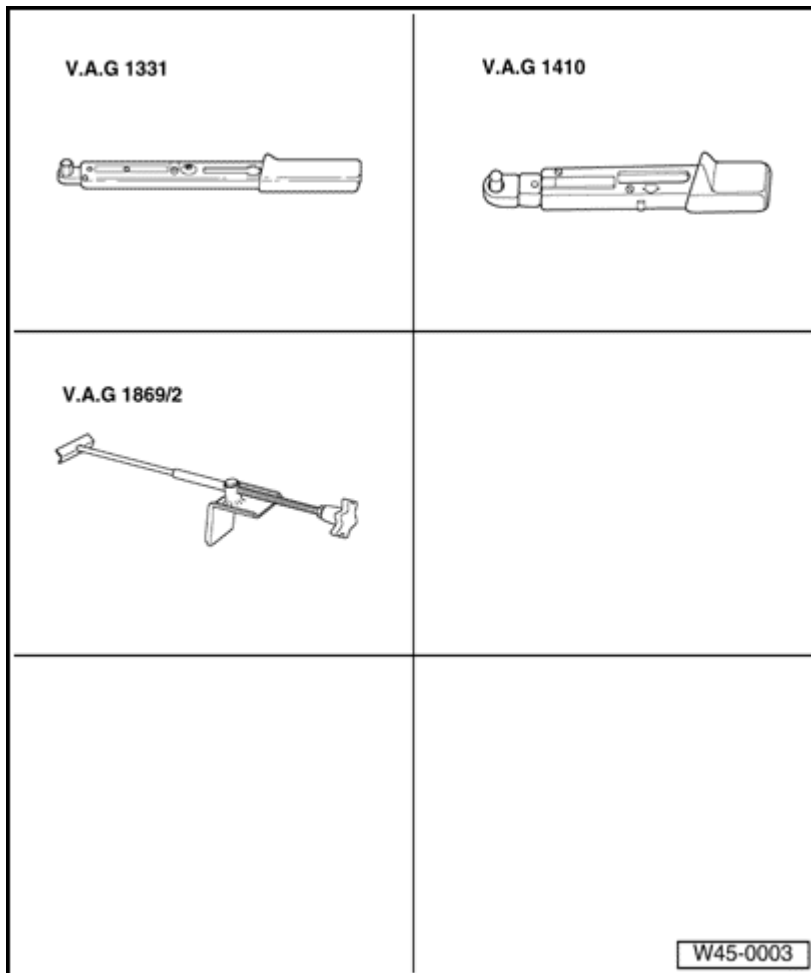
Volkswagen Jetta, Golf, GTI 1999, 2000
Brake System
Front brakes (Page 46-9)

Notes:

- ◆ *After replacing the brake pads, depress the brake pedal firmly several times with the vehicle stationary so that the brake pads are properly seated in their normal operating position.*
- ◆ *After replacing the brake pads, check the brake fluid level in the fluid reservoir.*

Volkswagen Jetta, Golf, GTI 1999, 2000
Brake System
Front brakes (Page 46-10)

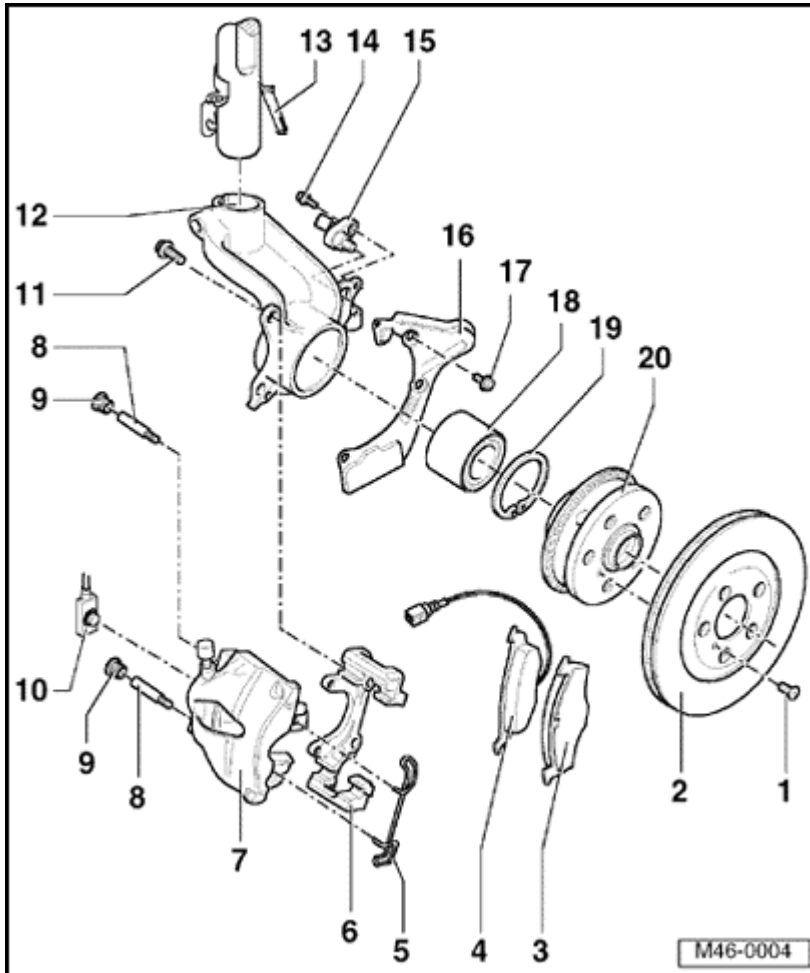
FN 3 brake caliper, servicing



Special tools and equipment

- ◆ VAG 1331 Torque wrench or equivalent
- ◆ VAG 1410 Torque wrench or equivalent
- ◆ VAG 1869/2 Brake pedal depressor or equivalent

Volkswagen Jetta, Golf, GTI 1999, 2000
Brake System
Front brakes (Page 46-11)



Notes:

- ◆ After replacing brake pads, depress the brake pedal firmly several times with the vehicle stationary so that the brake pads are properly seated in their normal operating position.
- ◆ To draw off brake fluid from the reservoir, use a bleeder bottle which is used only for brake fluid. Brake fluid is poisonous and must not be siphoned by mouth!
- ◆ Before removing a caliper or disconnecting a brake hose to the caliper, install the brake pedal depressor VAG 1869 or equivalent.

1 - Screw, 4 Nm (35 in. lb)

2 - Brake disc

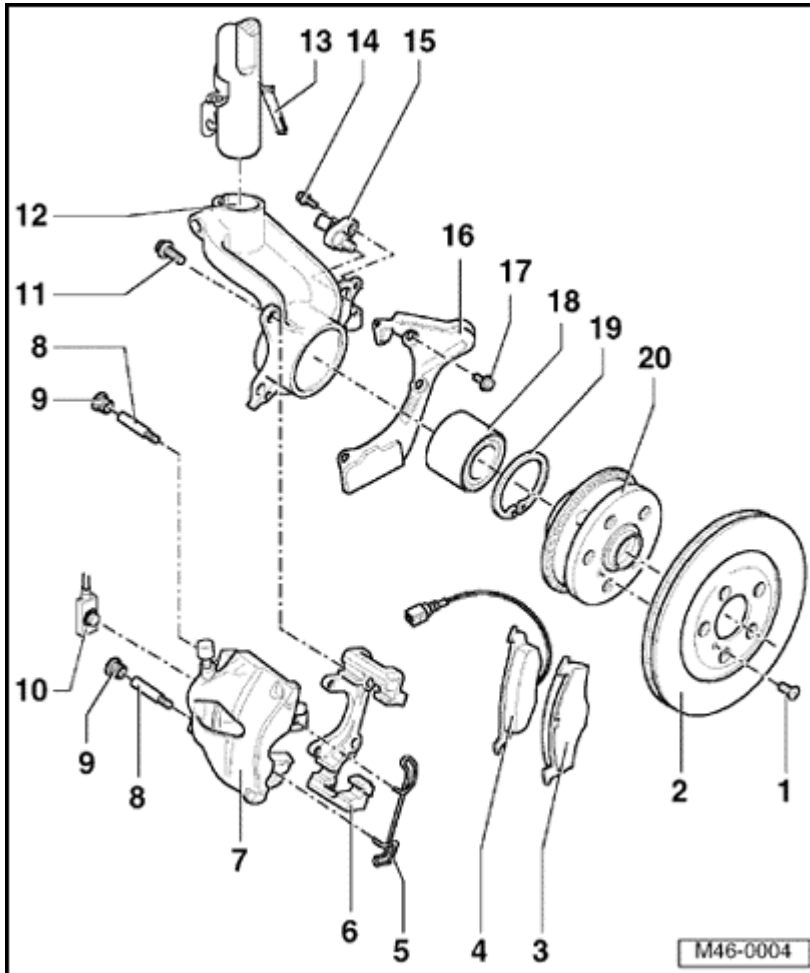
- ◆ Thickness when new: 25 mm
- ◆ Wear limit: 22 mm (0.866 in.)
- ◆ When worn always replace on both sides

3 - Exterior brake pad

- ◆ Thickness: 14 mm
- ◆ Always replace brake pads on same axle on both sides of vehicle at same time

◆ Removing and installing ⇒ from [Page 46-15](#)

Volkswagen Jetta, Golf, GTI 1999, 2000
Brake System
Front brakes (Page 46-12)



4 - Interior brake pad

- Thickness: 14 mm
- Always replace on rake pad on front left axle
- Removing and installing ⇒ from [Page 46-15](#)
- From 2000 ➤ left wheel brake pad has pad wear indicator

5 - Retaining spring

- Insert in both brake caliper housing drillings

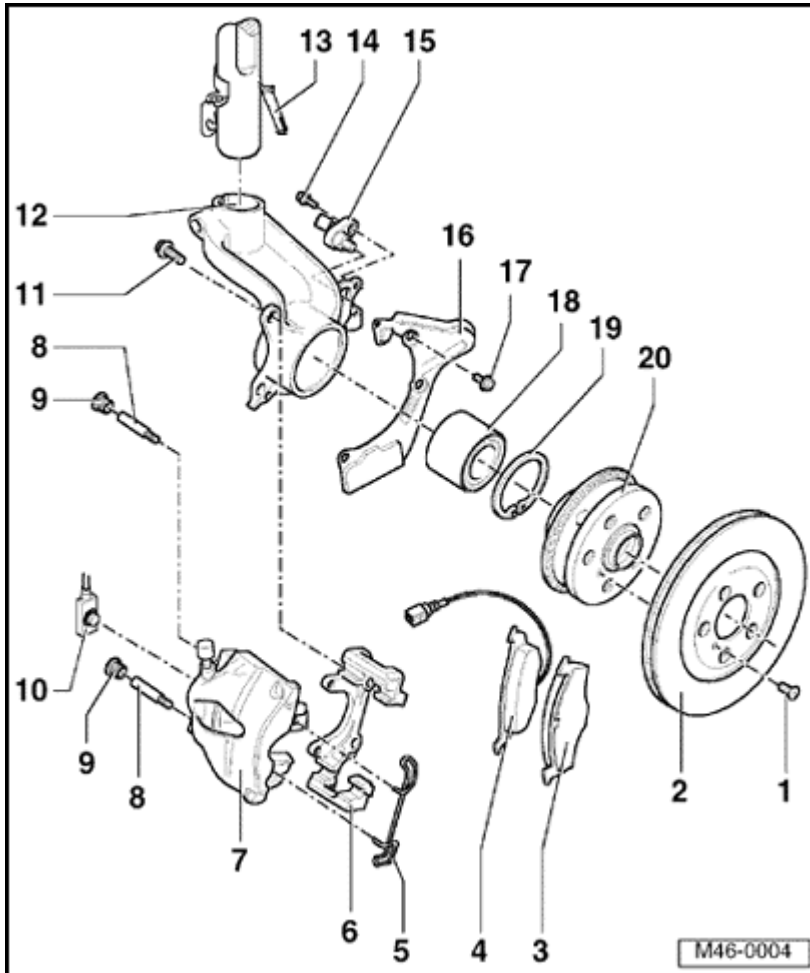
6 - Brake carrier

7 - Brake caliper housing

- Do not disconnect brake hose when changing brake pads
- Removing:
 - Removing brake pads -3- and -4- ⇒ [Page 46-15](#)
 - Install brake pedal depressor VAG 1869/2 or equivalent
 - Disconnect brake hose connection -9- from brake caliper
- Installing

- Install brake pads -3- and -4- ⇒ [Page 46-17](#)
- Connect brake hose connector -9- to caliper
- Remove brake pedal depressor
- Bleed brake system

Volkswagen Jetta, Golf, GTI 1999, 2000
Brake System
Front brakes (Page 46-13)



⇒ [Repair Manual, Brake System, ABS, ABS/EDL, Repair Group 47](#)

◆ Repairing caliper:

⇒ [Repair Manual, Brake System, ABS, ABS/EDL, Repair Group 47](#)

8 - Guide pins, 28 Nm (21 ft lb)

◆ Removing and installing ⇒ from [Page 46-15](#)

9 - Protective cap

◆ Take off

10 - Brake hose and union with banjo bolt, 35 Nm (26 ft lb)

11 - Ribbed bolt, 125 Nm (92 ft lb)

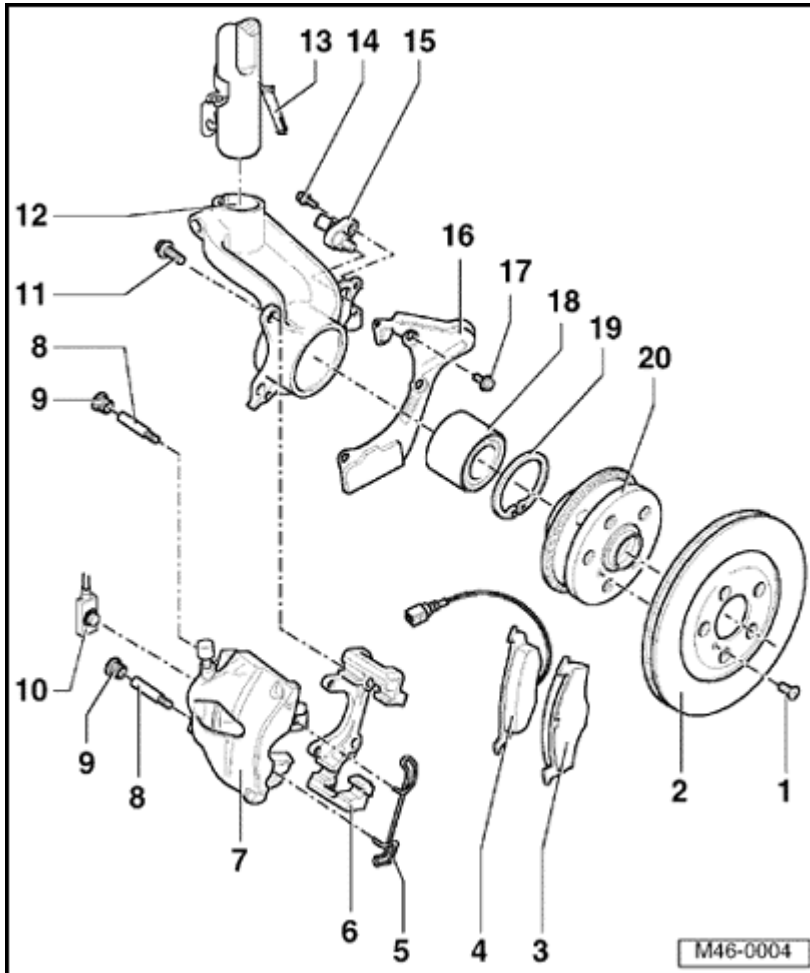
12 - Wheel bearing housing

13 - Pad wear sensor connector bracket

◆ It is not necessary to remove harness connector from connector bracket when replacing brake pad with pad wear sensor

14 - Hex socket head bolt, 8 Nm (70 in. lb)

Volkswagen Jetta, Golf, GTI 1999, 2000
Brake System
Front brakes (Page 46-14)



15 - ABS wheel speed sensor

- ◆ Before inserting sensor, clean mounting hole inner surface and coat speed sensor with lubricant G 000 650

16 - Splash shield

17 - Hex bolt, 10 Nm (7 ft lb)

18 - Wheel bearing

- ◆ Replace each time if removed
- ◆ Pressing out and in

⇒ [Repair Manual, Suspension, Wheels, Steering, Repair Group 40](#)

19 - Circlip

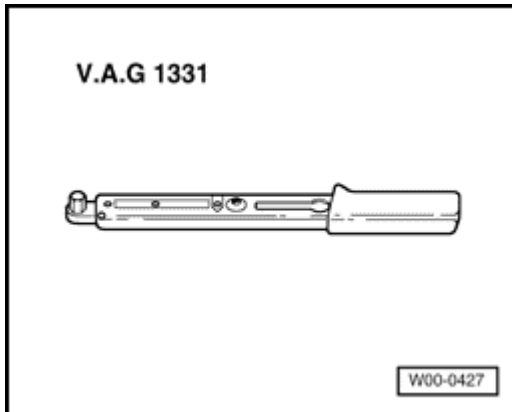
20 - Wheel hub with ABS wheel speed sensor rotor

- ◆ Pressing out and in

⇒ [Repair Manual, Suspension, Wheels, Steering, Repair Group 40](#)

Volkswagen Jetta, Golf, GTI 1999, 2000
Brake System
Front brakes (Page 46-15)

Brake pads, removing and installing



Special tools and equipment required

- ◆ VAG 1331 Torque wrench or equivalent
- ◆ Piston resetting tool

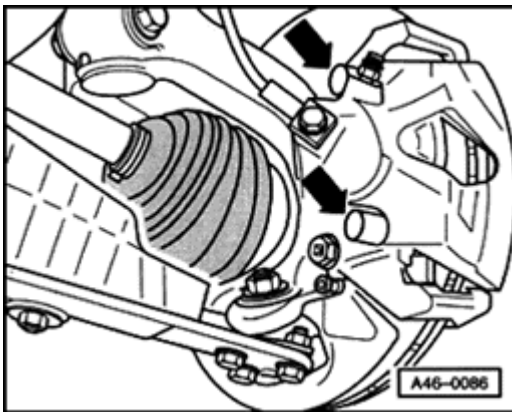
Additional information

- ◆ [Repair Manual, Suspension, Wheels, Steering](#)

Removing

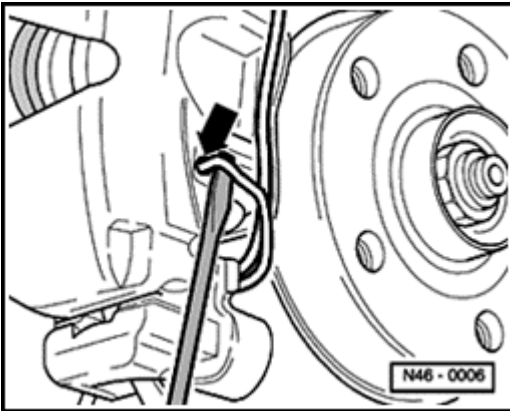
Notes:

If reusing brake pads mark location and fit in same position when installing otherwise uneven braking!



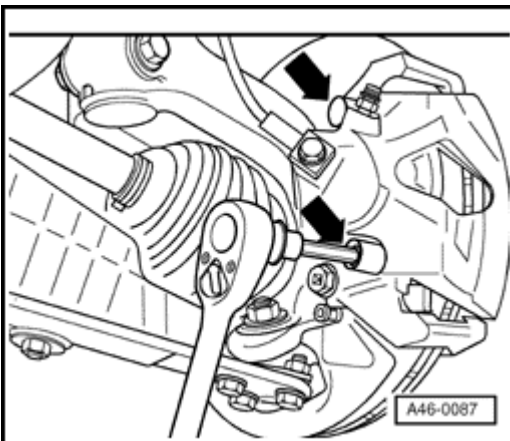
- Remove protective caps (arrows).

Volkswagen Jetta, Golf, GTI 1999, 2000
Brake System
Front brakes (Page 46-16)



A

- Using a screwdriver, pry brake pad retaining spring out of brake caliper housing (arrow) and remove.

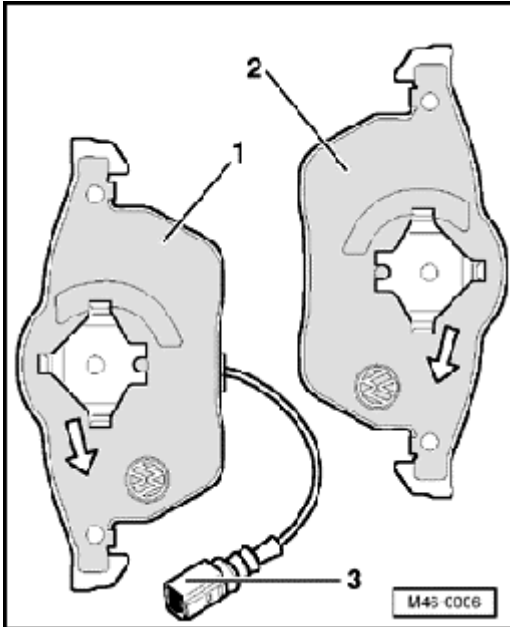


A

- Remove both guide pins (arrows) from brake caliper.
- Remove brake caliper housing and secure with wire so that weight of brake caliper does not stress or damage brake hose.
- Remove brake pads from brake caliper housing or from brake carrier.
- Clean brake caliper housing, especially bonding surface for brake pad. Surfaces must be free of adhesive or grease residue.

Volkswagen Jetta, Golf, GTI 1999, 2000
Brake System
Front brakes (Page 46-17)

Installing



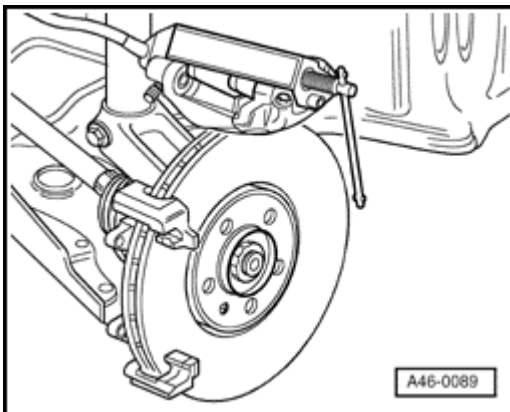
A

Brake pads with specified direction of rotation

- 1 - Right-hand side piston brake pad
- 2 - Left-hand side brake pad with pad wear sensor
- 3 - Pad wear sensor connector

Notes:

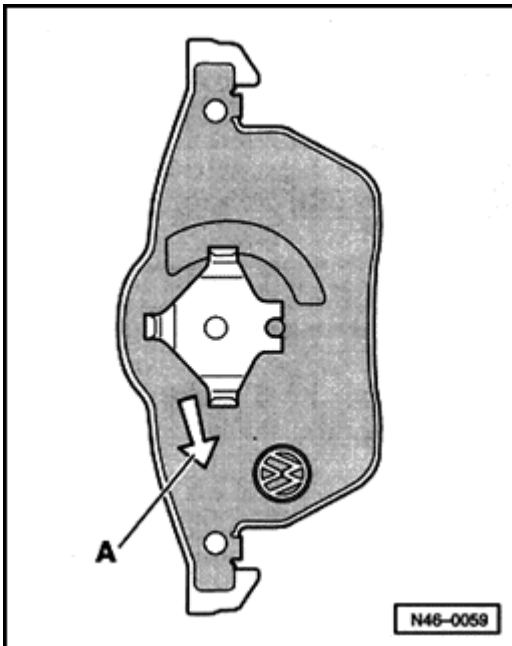
Before inserting new brake pads, press the piston back into the cylinder with the piston resetting tool. Before pressing the piston back, draw off brake fluid from the brake fluid reservoir with a bleeder bottle. Otherwise, particularly if reservoir has been topped up, fluid will overflow and cause damage.



A

- Press piston back.

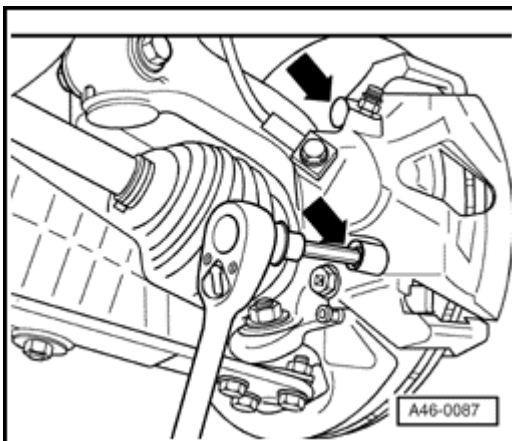
Volkswagen Jetta, Golf, GTI 1999, 2000
Brake System
Front brakes (Page 46-18)



A

When the brake pad is installed, the arrow on the brake pad backing plate -A- must point downward. Ensure that the brake pad is installed correctly!

- Install outer brake pad to brake carrier.
- Pull protective foil off outer brake pad backing plate.



A

- Install brake caliper housing with both guide pins (arrows) to brake carrier.
- Install both protective caps.
- Insert retaining spring into brake caliper housing.

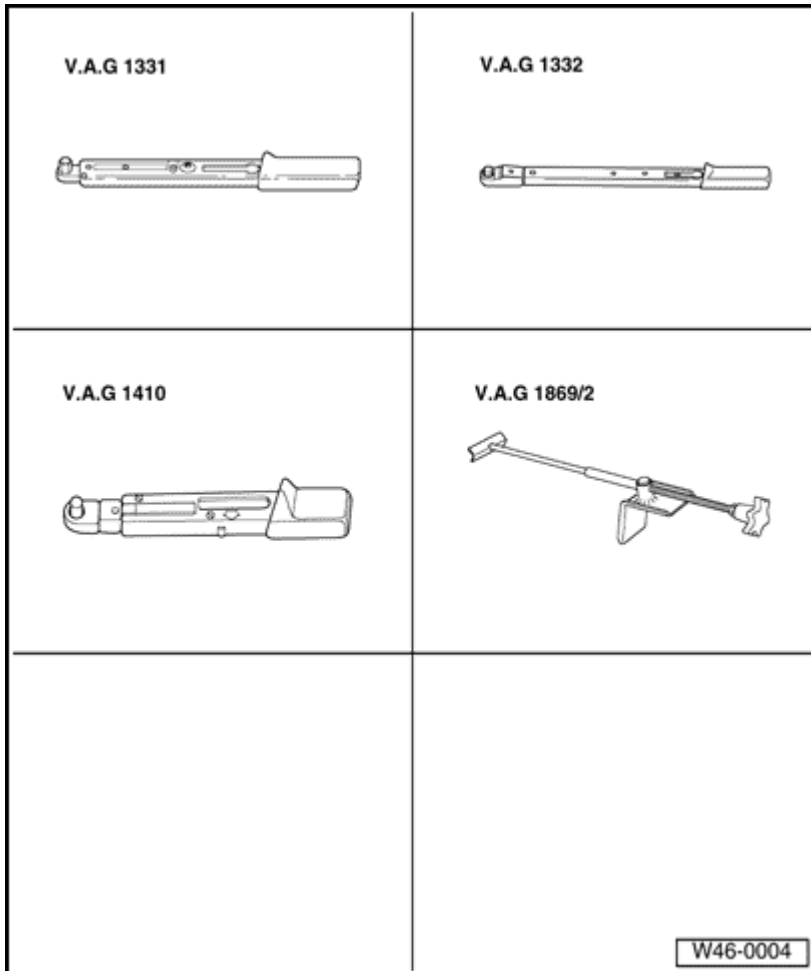
Notes:

After replacing the brake pads, depress the pedal firmly several times with the vehicle stationary

so that the brake pads are properly seated in their normal operating position.

Volkswagen Jetta, Golf, GTI 1999, 2000
Brake System
Rear wheel brakes (Page 46-19)

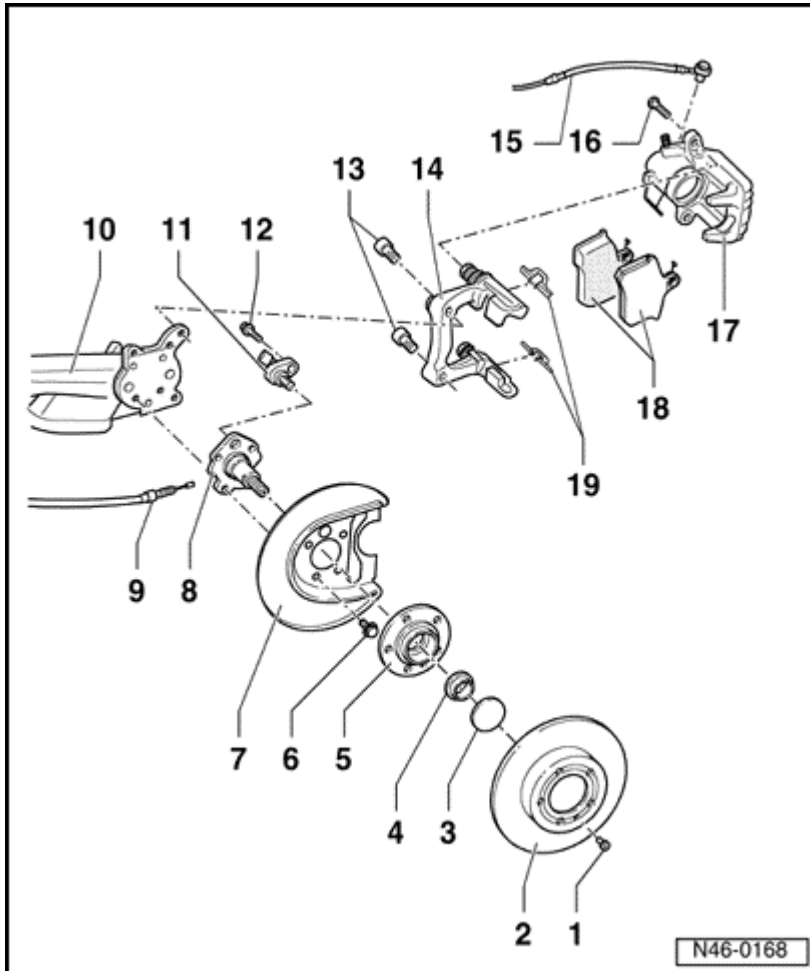
Disc brakes, servicing



Special tools and equipment

- ◆ VAG 1331 Torque wrench or equivalent
- ◆ VAG 1332 Torque wrench or equivalent
- ◆ VAG 1410 Torque wrench or equivalent
- ◆ VAG 1869/2 Brake pedal depressor or equivalent

Volkswagen Jetta, Golf, GTI 1999, 2000
Brake System
Rear wheel brakes (Page 46-20)



Notes:

- ◆ After replacing brake pads, depress the brake pedal firmly several times with the vehicle stationary so that the brake pads are properly seated in their normal operating position.
- ◆ To draw off brake fluid from the reservoir, use a bleeder bottle which is used only for brake fluid. Brake fluid is poisonous and must not be siphoned out by mouth!
- ◆ Before removing a caliper or disconnecting a brake hose to the caliper, install the brake pedal depressor VAG 1869 or equivalent.

1 - Screw, 4 Nm (35 in. lb)

2 - Brake disc

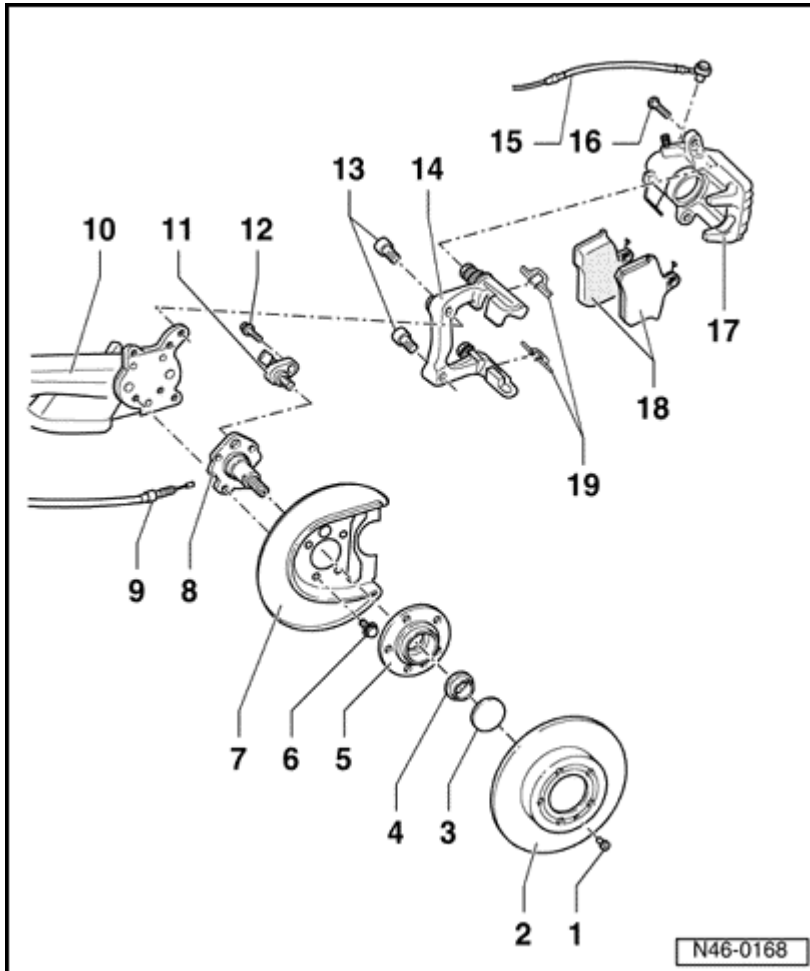
- ◆ Thickness when new: 9 mm
- ◆ Wear limit: 7 mm (0.276 in.)
- ◆ When worn, always replace on both sides

3 - Cap

- ◆ Pressing off and driving in

⇒ [Repair Manual, Suspension, Wheels, Steering, Repair Group 42](#)

Volkswagen Jetta, Golf, GTI 1999, 2000
Brake System
Rear wheel brakes (Page 46-21)



4 - Self-locking 12-point nut, 175 Nm (129 ft lb)

- ◆ Replace each time after removing

5 - Wheel hub with wheel bearing and ABS wheel speed sensor rotor

- ◆ Always replace after each disassembly
- ◆ Only replace complete
- ◆ Removing and installing

⇒ [Repair Manual, Suspension, Wheels, Steering, Repair Group 42](#)

6 - Hex bolt, 60 Nm (44 ft lb)

- ◆ With dished spring

7 - Splash shield

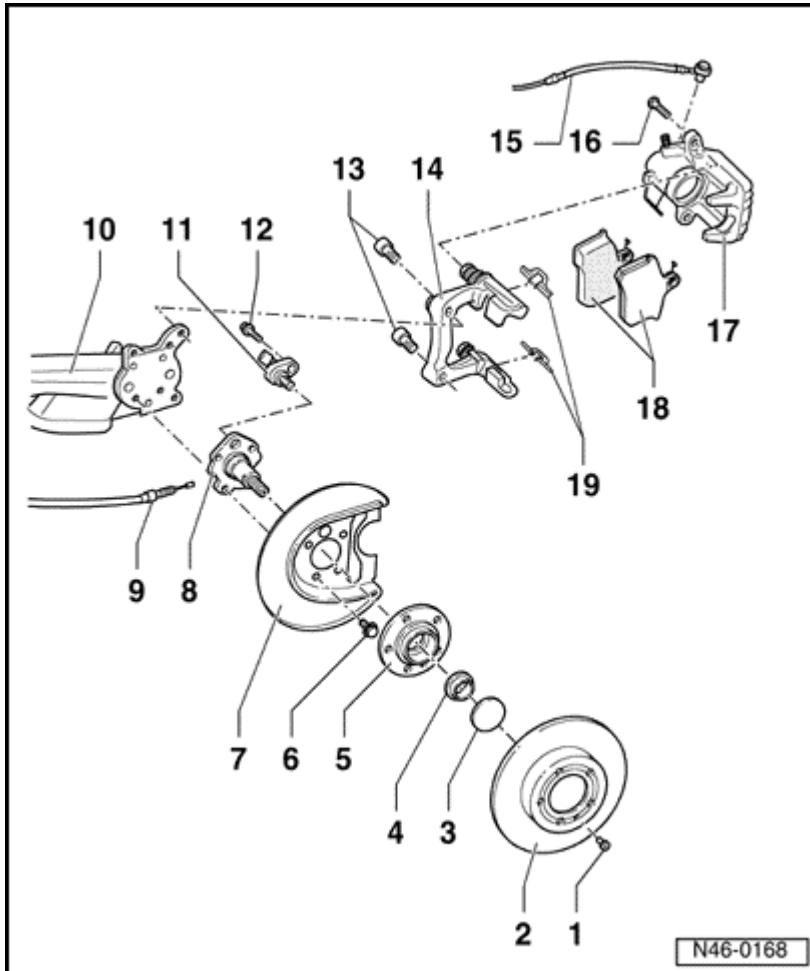
8 - Stub axle

9 - Parking brake cable

- ◆ Adjusting parking brake ⇒ [Page 46-29](#)

10 - Axle beam

Volkswagen Jetta, Golf, GTI 1999, 2000
Brake System
Rear wheel brakes (Page 46-22)



11 - ABS wheel speed sensor

- ◆ Before inserting sensor, clean mounting hole inner surface and coat speed sensor with lubricant G 000 650

12 - Hex socket head bolt, 8 Nm (70 in. lb)

13 - Hex socket head bolt, 65 Nm (48 ft lb)

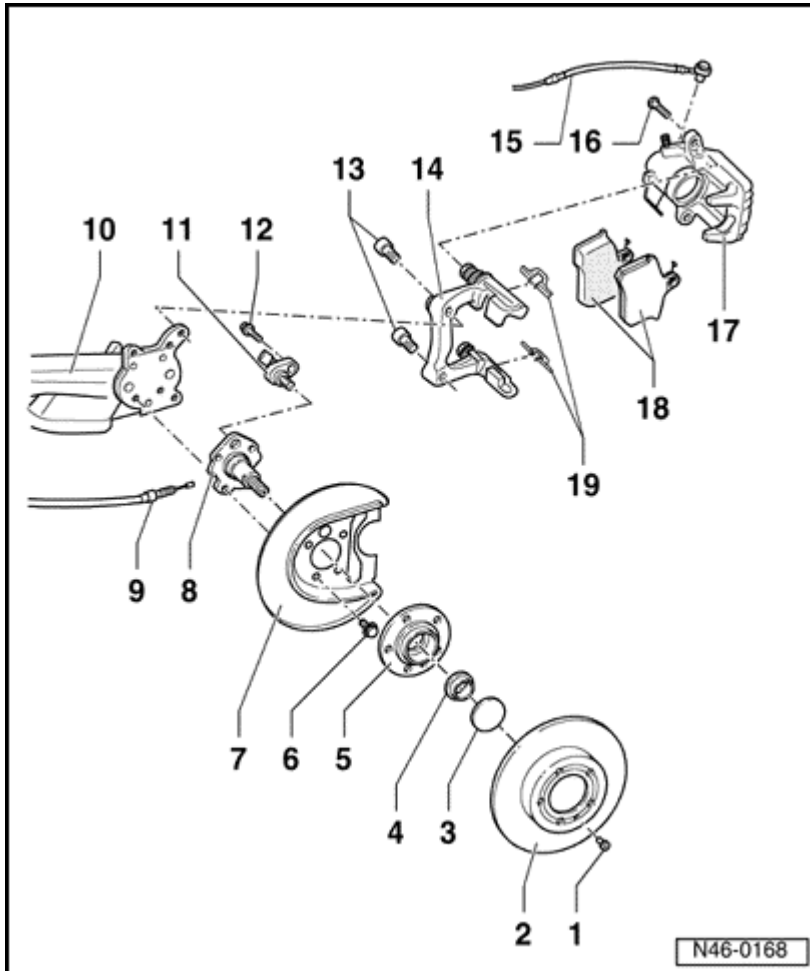
14 - Brake carrier with guide pins and protective cap

- ◆ Supplied as replacement part assembled with sufficient grease on guide pins
- ◆ If protective caps or guide pins are damaged use repair kit. Use grease packet supplied to lubricate guide pins.

15 - Brake hose/line

- ◆ With banjo bolt and seals
- ◆ Banjo bolt to brake caliper tightening torque: 35 Nm (26 ft lb)
- ◆ Do not disconnect brake hose when changing brake pads

Volkswagen Jetta, Golf, GTI 1999, 2000
Brake System
Rear wheel brakes (Page 46-23)



16 - Self-locking hex bolt, 35 Nm (26 ft lb)

- ◆ Always replace

17 - Brake caliper

- ◆ Servicing ⇒ [Page 47-13](#)
- ◆ Do not disconnect brake hose when changing brake pads
- ◆ Removing:
 - Remove brake pads -18- ⇒ [Page 46-25](#)
 - Insert brake pedal depressor VAG 1869/2 or equivalent
 - Disconnect brake hose from brake caliper
- ◆ Installing:
 - Install brake pads -18- ⇒ [Page 46-27](#)
 - Install brake hose -15- to caliper
 - Remove brake pedal depressor
 - Bleed brake system

⇒ [Repair Manual, Brake System, ABS, ABS/EDL, Repair Group 47](#)

- ◆ Repairing caliper

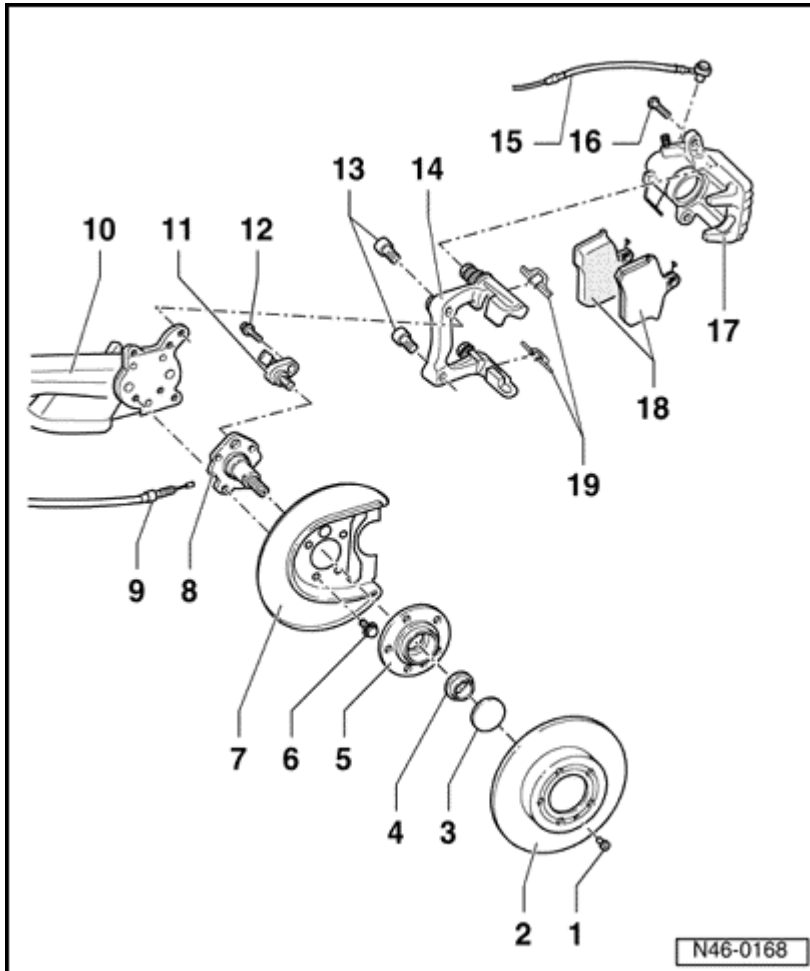
⇒ [Repair Manual, Brake System, ABS, ABS/EDL, Repair Group 47](#)

- ◆ Adjust parking brake cable first after maintenance or replacement.

Do not operate footbrake first!

⇒ Adjusting parking brake [Page 46-29](#)

Volkswagen Jetta, Golf, GTI 1999, 2000
Brake System
Rear wheel brakes (Page 46-24)



18 - Brake pads

- ◆ Thickness when new: 11.5 mm
- ◆ Checking thickness:

⇒ [Repair Manual, Maintenance](#)

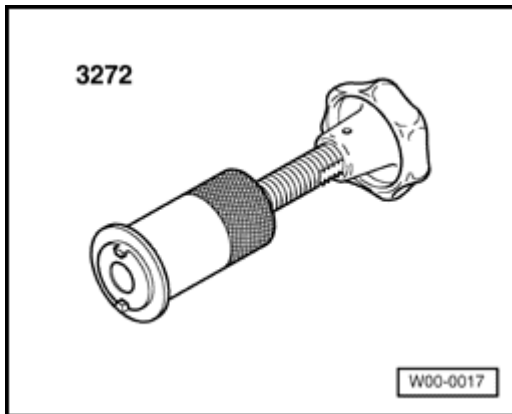
- ◆ Always replace on both sides
- ◆ Removing and installing ⇒ [Page 46-25](#)
- ◆ Wear limit: 7.5 mm including backing plate

19 - Brake pad retaining springs

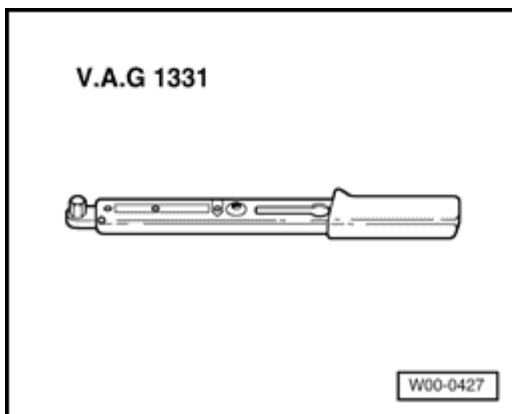
- ◆ Always replace when changing pads

Volkswagen Jetta, Golf, GTI 1999, 2000
Brake System
Rear wheel brakes (Page 46-25)

Brake pads, removing and installing
Special tools and workshop equipment



- ◆ 3272 Piston resetting and removal tool



- ◆ VAG 1331 Torque wrench or equivalent

Volkswagen Jetta, Golf, GTI 1999, 2000

Brake System

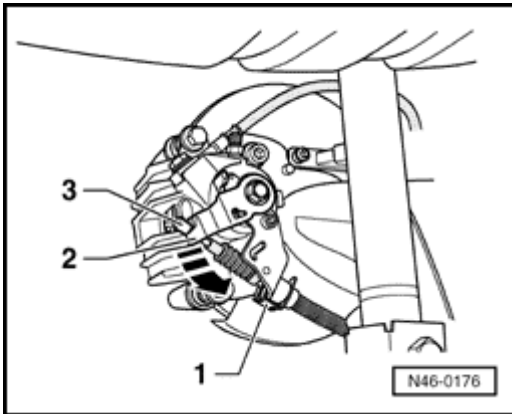
Rear wheel brakes (Page 46-26)

Notes:

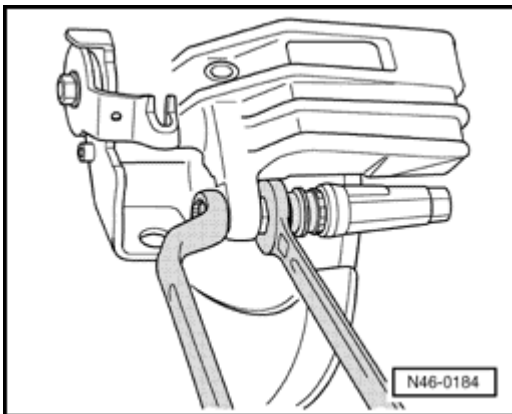
If re-using brake pads, mark pad position before removing. Re-install brake pads in their original position to prevent uneven braking.

Removing

- Remove wheels.

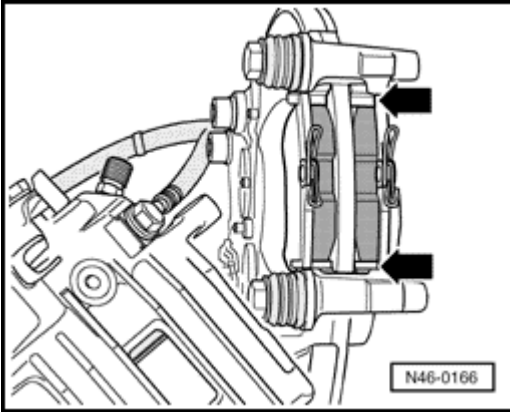


- Remove clip -1-.
- Press brake lever -2- in direction of arrow and unhook brake cable -3-.



- Remove bolts from brake caliper housing by counterholding on guide pins.
- Remove brake caliper housing and suspend with wire so that weight of caliper does not stress or damage brake hose.

Volkswagen Jetta, Golf, GTI 1999, 2000
Brake System
Rear wheel brakes (Page 46-27)

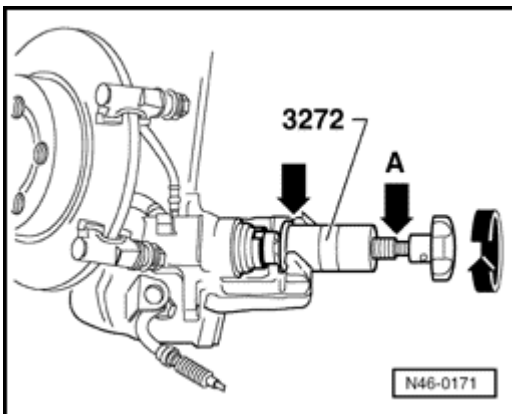


A

- Remove brake pads and pad retaining springs (arrows).
- Clean brake caliper housing, especially bonding surface for brake pad. Bonding surfaces must be free of adhesive and grease residues.

Installing

Before pressing the piston back, draw off brake fluid from the reservoir. Use a bleeder bottle or a plastic bottle which is only used for brake fluid. Brake fluid is poisonous and must on no account be sucked out by mouth through a hose.



A

- Screw in piston by turning knurled wheel of special tool 3272 clockwise.

Notes:

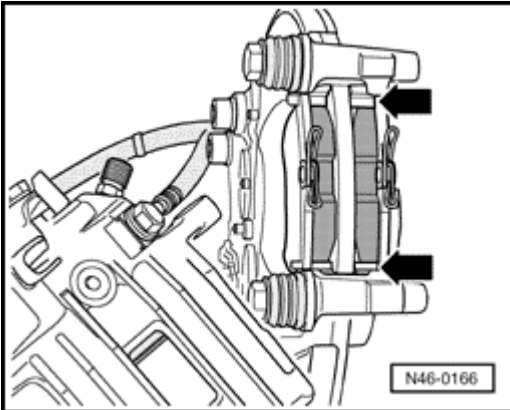
- ♦ *Install special tool 3272 with the collar (arrow) of the tool seated on the brake caliper.*
- ♦ *If the piston is difficult to move, use a 13 mm open end wrench on the flats (arrow - A-) provided for this purpose.*
- ♦ *If the piston is pushed back with a piston resetting tool the automatic adjustment in the brake caliper will be destroyed.*

Volkswagen Jetta, Golf, GTI 1999, 2000

Brake System

Rear wheel brakes (Page 46-28)

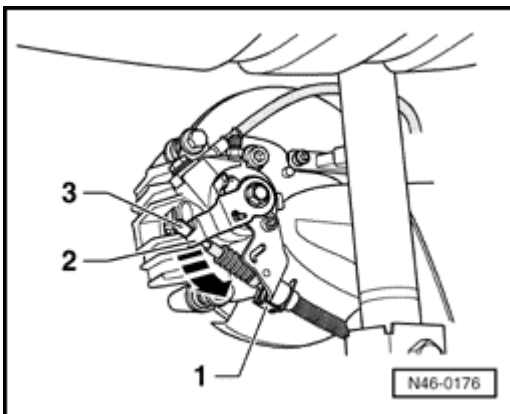
- Pull protective foil off outer brake pad backplate.



- Insert brake pads and brake pad retaining springs (arrows) into brake carrier.
- Install brake caliper housing with new self-locking bolts and torque to 35 Nm (26 ft lb).

Notes:

The repair kit includes four self-locking bolts which must always be installed.



- Press brake lever -2- in direction of arrow and attach parking brake cable.
- Install clip -1-.
- Adjust parking brake ⇒ [Page 46-29](#).
- Operate foot brake first after adjusting parking brake.
- Install wheels.

Notes:

- ♦ *After each brake pad change firmly depress the brake pedal several times with vehicle stationary so that the brake pads are properly seated in their normal operating position.*

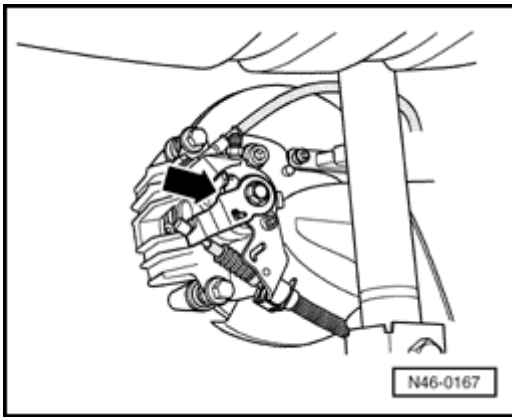
- ◆ *After changing brake pads check brake fluid level.*

Parking brake, adjusting

Notes:

Due to the automatic rear wheel brake adjustment there is normally no need to adjust the parking brake. New adjustment is required only if the parking brake cables, brake calipers or brake discs are replaced.

- Remove center console extension,
⇒ [Repair Manual, Body-Interior, Repair Group 68](#)



A

- With parking brake released, depress brake pedal forcefully one time.
- With parking brake released, tighten cable adjustment nuts until levers (arrow) on brake calipers lift off of stops.
 - Max. 1.5 mm (0.059 in.) from stop (arrow) is permissible on each side
- Pull parking brake on 3 times and then release again.
- Check that both wheels turn freely.

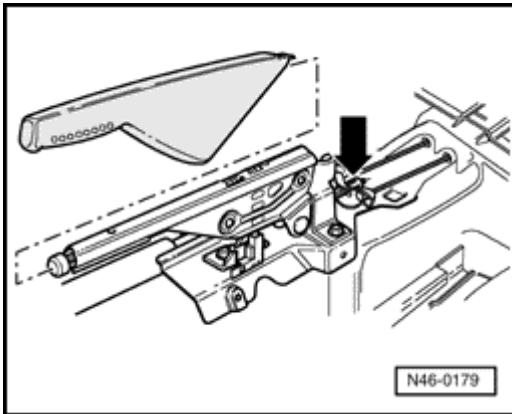
Volkswagen Jetta, Golf, GTI 1999, 2000

Brake System

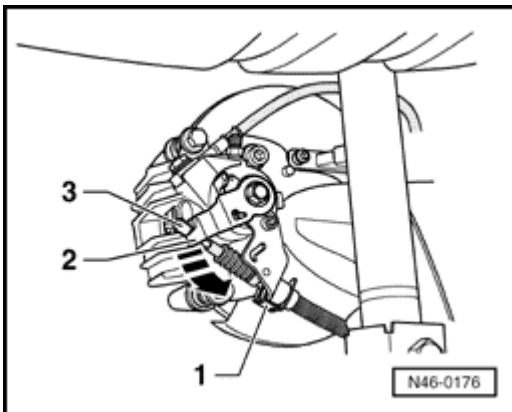
Parking brake cables, removing and installing (Page 46-30)

Removing

- Remove center console extension,
⇒ [Repair Manual, Body-Interior, Repair Group 68](#)
- Release parking brake.

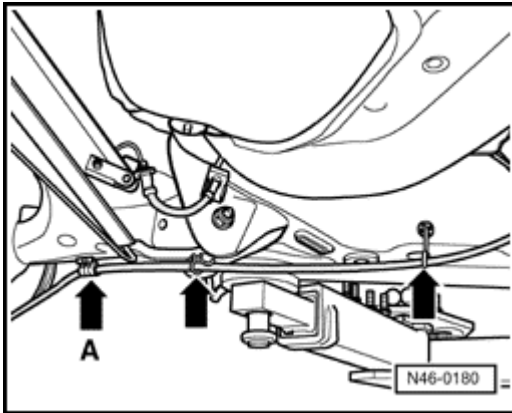


- Loosen adjustment nut (arrow) until parking brake cable can be unhooked from compensator.
- Raise vehicle.



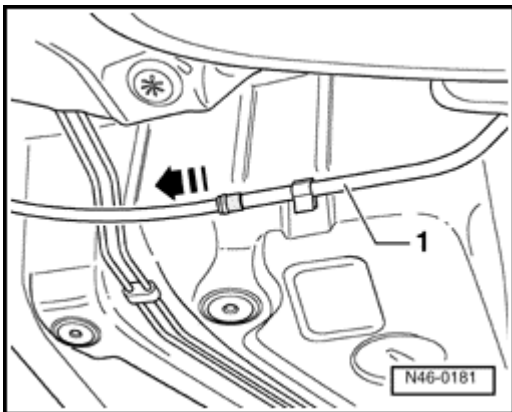
- Remove clip -1-.
- Press brake lever -2- in direction of arrow and unhook brake cable -3-.

Volkswagen Jetta, Golf, GTI 1999, 2000
Brake System
Parking brake cables, removing and installing (Page 46-31)



A

- Unclip parking brake cable from retainer on rear axle (arrow- A-) and unhook from additional retainers (arrows).



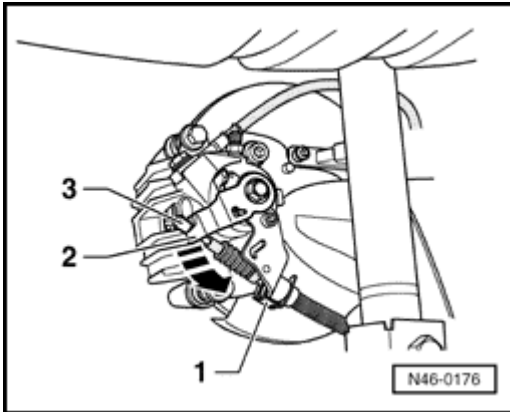
A

- Pull parking brake cable out of guide tube -1- in direction of arrow.

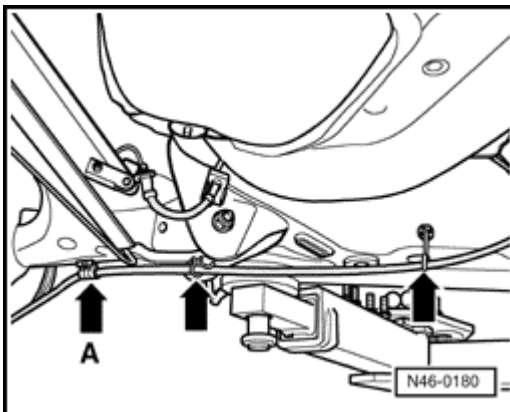
Volkswagen Jetta, Golf, GTI 1999, 2000
Brake System
Parking brake cables, removing and installing (Page 46-32)

Installing

- Slide parking brake cable into guide tube.



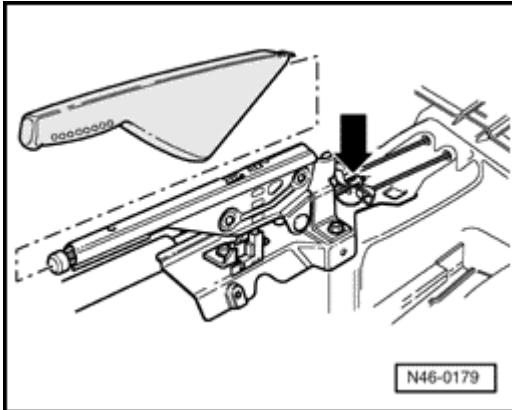
- Press brake lever -2- in direction of arrow and attach parking brake cable.
- Install clip -1-.



- Clip parking brake cable into retainer on rear axle (arrow -A-).
- Parking brake cable clamp ring must lie in middle of clip.
- Hook parking brake cable into retainers (arrows).

Volkswagen Jetta, Golf, GTI 1999, 2000
Brake System
Parking brake cables, removing and installing (Page 46-33)

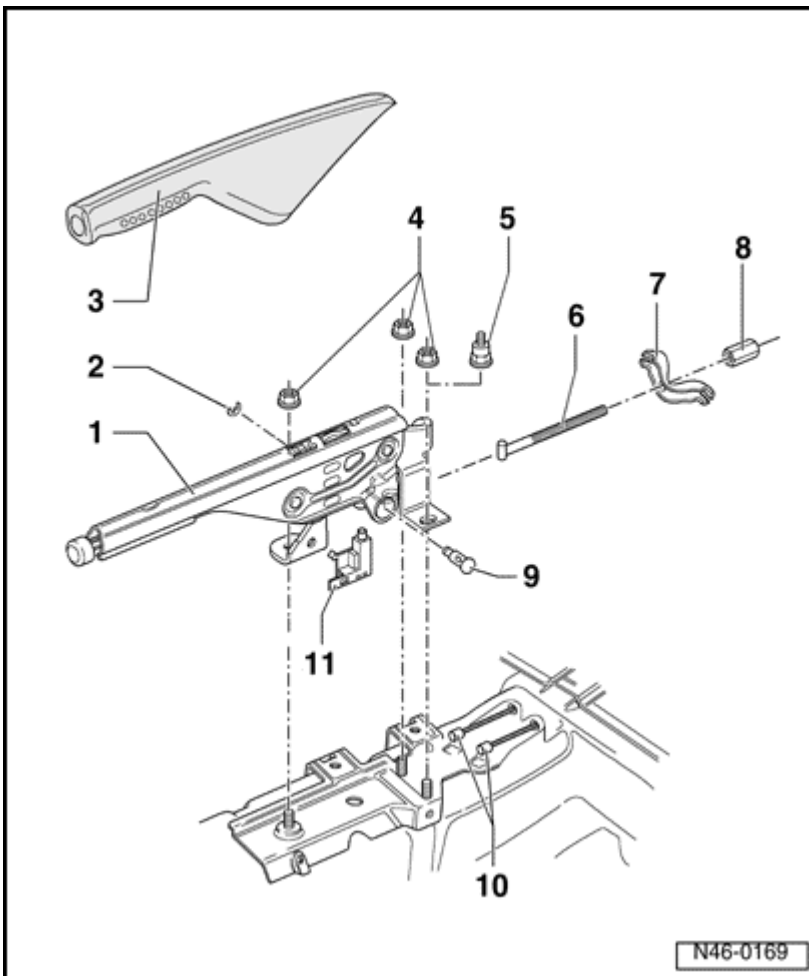
- Hook parking brake cable into compensator.



A

- Pretension parking brake cable with adjustment nut (arrow).
 - Adjusting parking brake ⇒ [Page 46-29](#).
 - Install center console extension.
- ⇒ [Repair Manual, Body-Interior, Repair Group 68](#)

Volkswagen Jetta, Golf, GTI 1999, 2000
Brake System
Parking brake lever, components (Page 46-34)



1 - Parking brake lever

- ◆ Before removing take out center console

2 - Circlip

3 - Parking brake lever trim

- ◆ Pull off toward front
- ◆ Use a screwdriver to release strap under lever

4 - Hex nut, 25 Nm (18 ft lb)

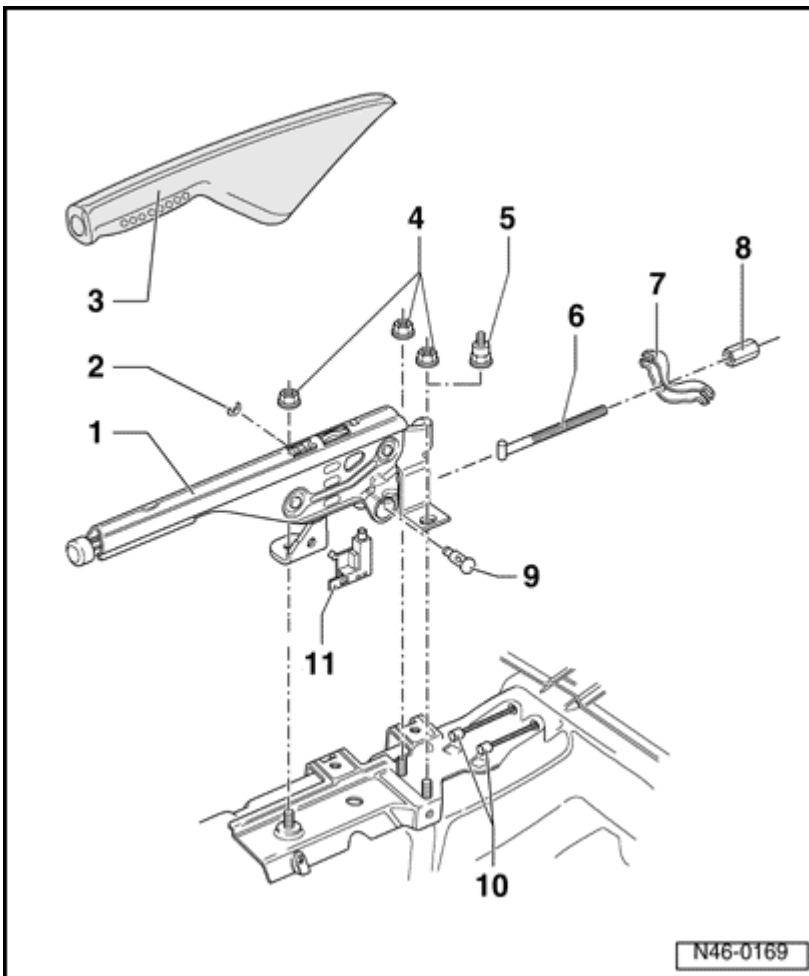
5 - Adapter

- ◆ For vehicles with center armrest

6 - Pull rod

7 - Compensator

Volkswagen Jetta, Golf, GTI 1999, 2000
Brake System
Parking brake lever, components (Page 46-35)



8 - Adjusting nut

- ◆ Adjusting parking brake ⇒ [Page 46-29](#)

9 - Fulcrum pin

- ◆ Holds pull rod -6- in parking brake

11 - Parking brake cables

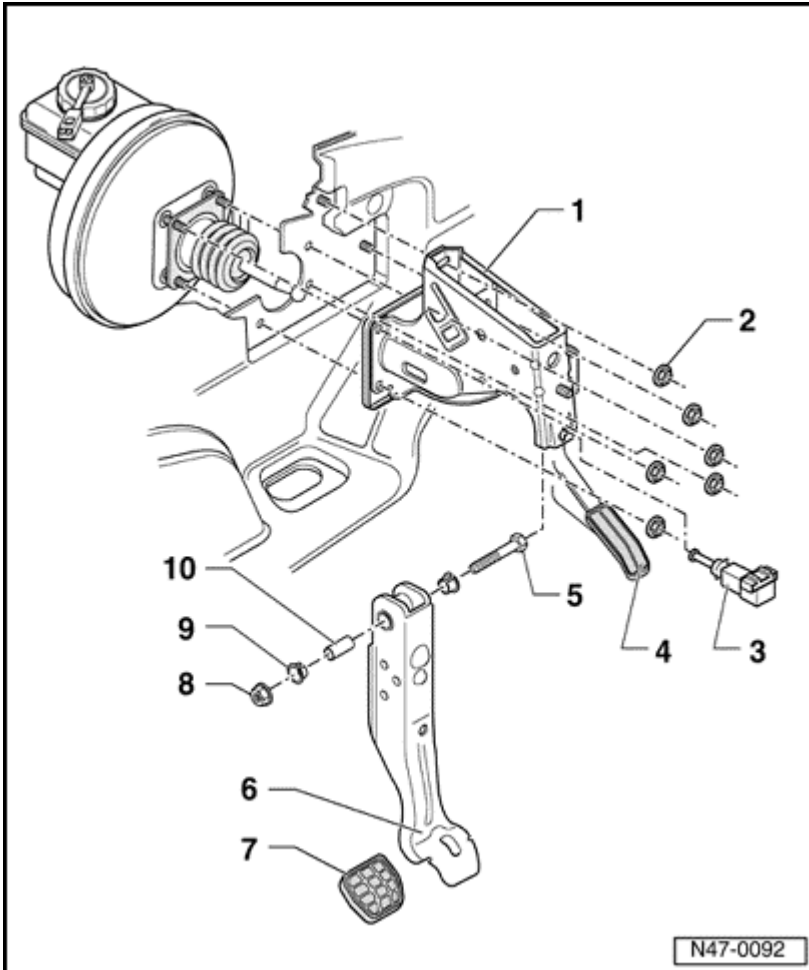
- ◆ Removing and installing ⇒ [Page 46-30](#)

12 - Parking brake warning light switch

Volkswagen Jetta, Golf, GTI 1999, 2000
Brake System
Brake pedal, assembly overview (Page 46-36)

CAUTION!

The brake pedal travel must not be restricted by additional floor coverings.



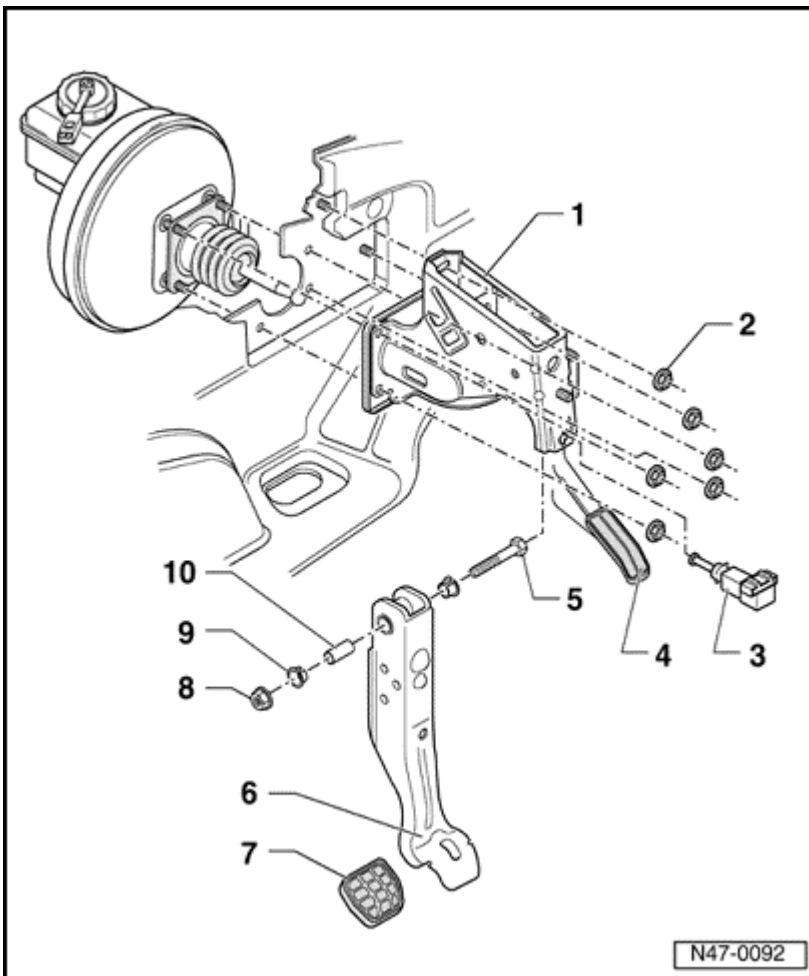
Notes:

Grease all mountings before installing with grease, Part No. G 000 602.

1 - Mounting bracket

2 - Self-locking hex nut, 20 Nm (15 ft lb)

Volkswagen Jetta, Golf, GTI 1999, 2000
Brake System
Brake pedal, assembly overview (Page 46-37)



3 - Brake light switch

- ◆ Before installing brake light switch, connect brake pedal to brake booster push rod
⇒ [Page 46-41](#)
- ◆ Before installing pull plunger out completely

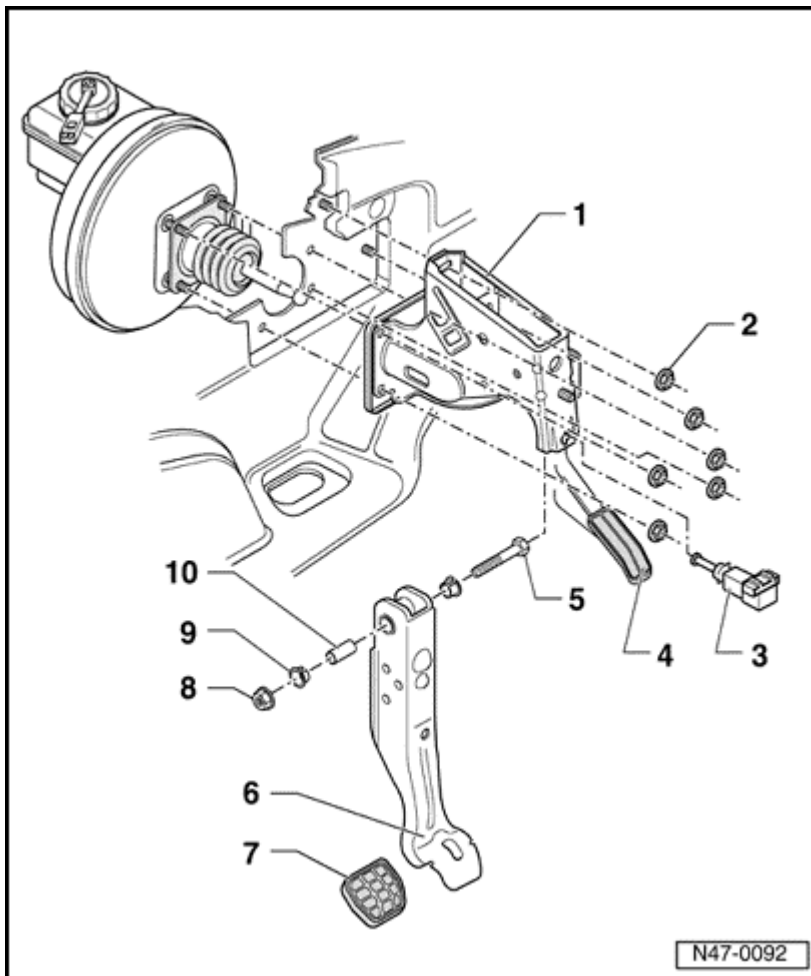
Installing:

- Push brake pedal down as far as possible by hand
- Guide switch through mounting hole (only fits in one position) and secure by turning 90° clockwise
- Release brake pedal
- Connect wiring connector
- Check function of brake lights

4 - Accelerator pedal

5 - Hex bolt

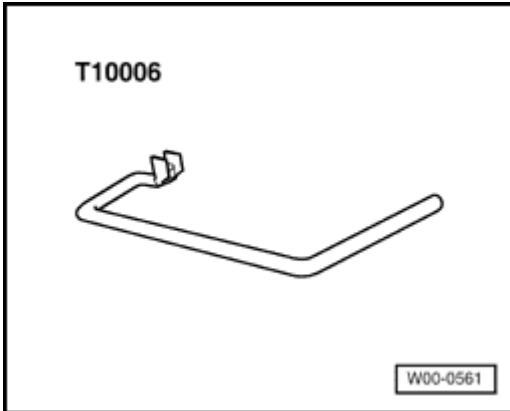
Volkswagen Jetta, Golf, GTI 1999, 2000
Brake System
Brake pedal, assembly overview (Page 46-38)



- 6 - Brake pedal
- 7 - Pad
- 8 - Self-locking hex nut, 20 Nm (15 ft lb)
- 9 - Bushing
- 10 - Pivot pin

Volkswagen Jetta, Golf, GTI 1999, 2000
Brake System
Brake pedal, assembly overview (Page 46-39)

Brake pedal to brake booster, disconnecting and connecting
Special tools and equipment required

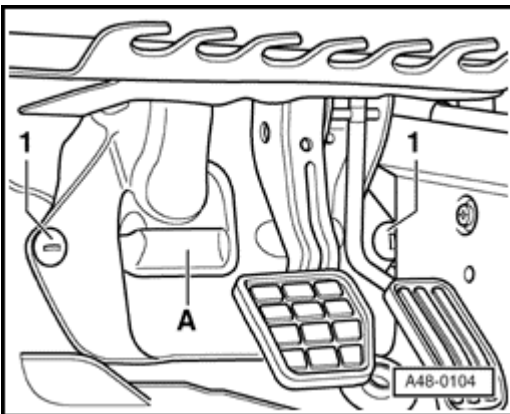


A

- ◆ T 10006 Release tool

Additional information

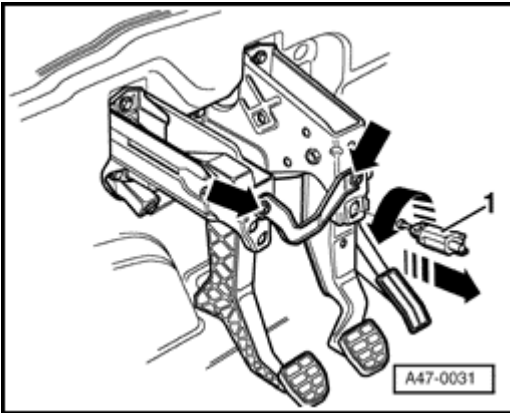
- ◆ [Repair Manual, ABS, ABS/EDL On Board Diagnostic \(OBD\), Repair Group 01](#)
- Remove trim below instrument panel.



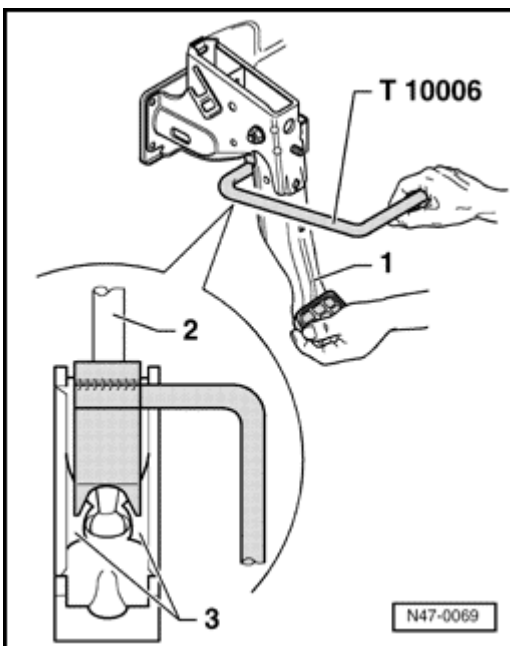
A

- Remove screws -1-.
- Remove cover -A-.

Volkswagen Jetta, Golf, GTI 1999, 2000
Brake System
Brake pedal, assembly overview (Page 46-40)



- Remove connecting plate between clutch and brake pedals (arrows) on vehicles with a manual transmission.
- Remove brake light switch -1- ⇒ [Page 46-36](#).



- Press brake pedal in direction of brake booster and hold.
- 1- Brake pedal
2- Push rod
3- Retaining tabs
- Insert special tool T 10006 and pull in direction of driver's seat while counter-holding on brake pedal -1-.

Notes:

- ◆ *Do not allow the brake pedal to move backward when pulling on special tool T 10006.*
- ◆ *The special tool presses the push rod head off the retaining tabs.*
- ◆ *The illustration shows the pedal cluster removed.*

Volkswagen Jetta, Golf, GTI 1999, 2000

Brake System

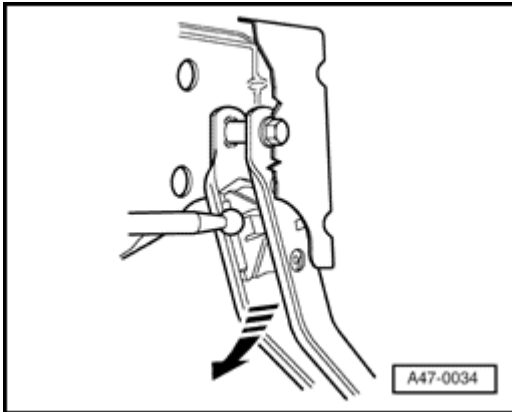
Brake pedal, assembly overview (Page 46-41)

- Pull special tool T 10006 and brake pedal towards driver's seat.

Notes:

The brake pedal will now be pulled off the push rod ball head.

Connecting



- Hold push rod ball head in front of mounting and push brake pedal in direction of brake booster.
- Push rod ball must be heard to snap into place

Continue installation in reverse order of removal.

- Adjust brake light switch ⇒ [Repair Manual, ABS, ABS/EDL On Board Diagnostic \(OBD\), Repair Group 01](#)

Volkswagen Jetta, Golf, GTI 1999, 2000
Brake System
Brake pedal, assembly overview (Page 46-42)

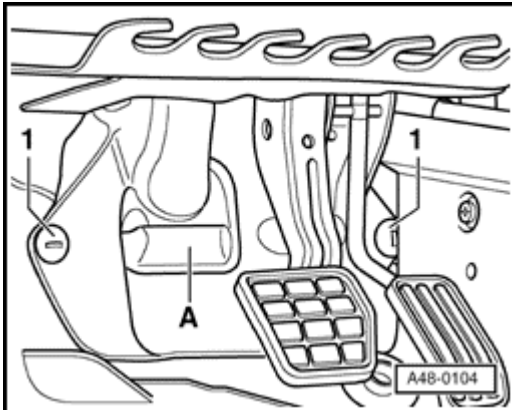
Brake pedal, removing and installing

Additional information

- ♦ [Repair Manual, ABS, ABS/EDL On Board Diagnostic \(OBD\), Repair Group 01](#)

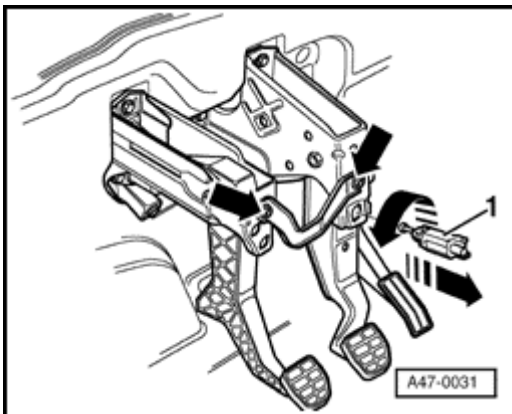
Removing

- Remove trim below instrument panel.



A

- Remove screws -1-.
- Remove cover -A-.



A

- Remove connecting plate between clutch and brake pedals on vehicles with a manual transmission.
- Remove brake light switch -1- ⇒ [Page 46-36](#).
- Disconnect accelerator cable.
- On vehicles with accelerator pedal position sensor, release connector below instrument panel.
- Disconnect brake pedal from brake booster ⇒ [Page 46-39](#).

Volkswagen Jetta, Golf, GTI 1999, 2000
Brake System
Brake pedal, assembly overview (Page 46-43)

- Remove hex nuts, item -2- ⇒ [Page 46-36](#).
- Remove pedal cluster.
- Remove brake pedal.

Installing

Install in reverse order of removal.

- Adjust brake light switch ⇒ [Repair Manual, ABS, ABS/EDL On Board Diagnostic \(OBD\), Repair Group 01](#)