

WIRING DIAGRAMS

Article Text

1985 Volkswagen Golf

This file passed thru Volkswagen Technical Site - <http://volkswagen.msk.ru>

ARTICLE BEGINNING

1985 Wiring Diagrams
Volkswagen

Golf, Golf Diesel & Golf GTI

IDENTIFICATION

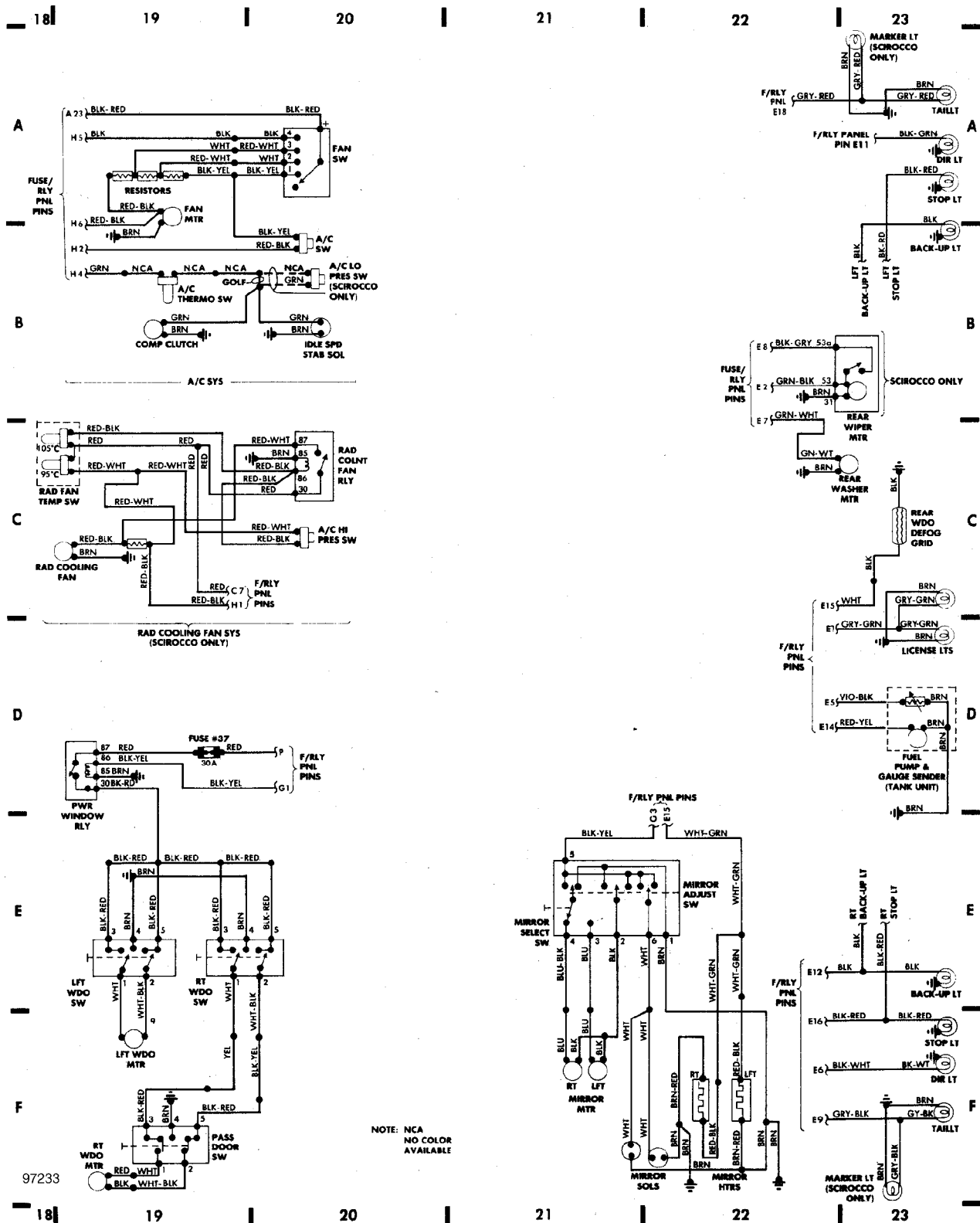
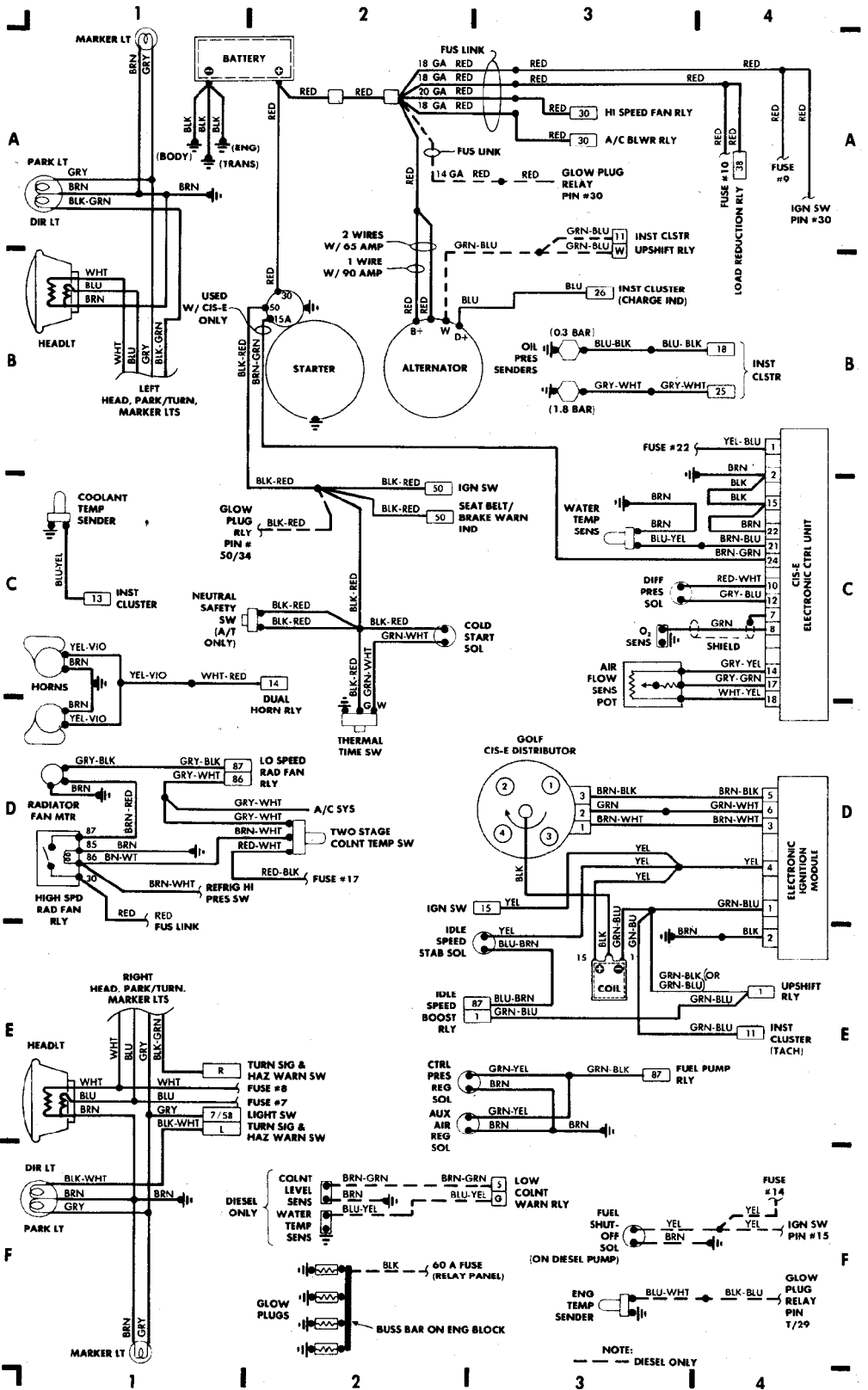


Fig. 1: Engine Compartment

COMPONENT LOCATOR:

A/C SYSTEM	C-F 19-20
ALTERNATOR	B 2
AMBIENT AIR SENSOR (GTI)	D 17
AUX AIR REG SOL	E 2-3
BACK UP LT SW	E 22
BLOWER MTR & SW (HEATER ONLY)	C-D 21
BRAKE LT SW	F 22
BRAKE WARNING INDICATOR	E 18
CIGARETTE LIGHTER	B 19
COIL (GOLF)	E 3
COIL (GTI)	C 7
COLD START SOL	C 2
CONTROL PRES REGULATOR SOL	E 2-3
COOLANT LEVEL SENSOR (DIESEL)	F 2
COOLANT TEMP SENDER	C 1
COOLANT TEMP SW (2 STAGE)	D 2
CRUISE CTRL SYS	E-F 14-16
DISTRIBUTOR (GOLF)	D 3
DISTRIBUTOR (GTI)	B 7
ELECTRONIC ENG CTRL SYS (GOLF)	C 3-4
ELECTRONIC ENG CTRL SYS (GTI)	B 4-7
ELECTRONIC IGN SYS (GOLF)	D 3-4
ELECTRONIC IGN SYS (GTI)	B-C 6-7
ENG TEMP SENDER (DIESEL)	F 3
EMERGENCY RELEASE SWS (PASSIVE RESTRAINT)	D 13
FUEL PUMP	D 22-23
FUEL SHUTOFF SOL (DIESEL)	F 3
FUSE LINKS	A 2
FUSE PANEL	D-E 5-8
GLOW PLUGS (DIESEL)	F 2
HAZARD SW	D 15
HIGH BEAM SW	C 14
HORN SW	A 11
IGNITION SW	A 15
INSTRUMENT CLUSTER	A-E 17-18
KNOCK SENSOR CTRL UNIT	A 7
LIGHT SW	C 15
LOW COOLANT WARN RLY (DIESEL)	E 13
MULTIFUNCTION SW	E 16
NEUTRAL SAFETY SW	C 2
OIL PRES SWS	B 3
OIL TEMP SENSOR (GTI)	D 16
PRESSURE SWS	A 10
RADIATOR FAN MTR	D 1
RADIATOR FAN RELAY (HIGH SPEED)	D 1
REAR WDO DEFOG SW & SYS	C 22
REAR WDO WIPER/WASHER SYS	E 10-11
RELAY PANEL	A-F 9-13
SEAT BELT SW	D 12
SEAT BELT WARNING INDICATOR	F 18
STARTER	B 2
THERMAL TIME SW	D 2
THROTTLE POSITION SWS (DIESEL)	A 10
TURN SIGNAL SW	E 14
WATER TEMP SENSOR (DIESEL)	A 2
W/SHIELD WIPER SYS	A-C 8



97234

Fig. 2: Engine Compartment (Cont.) & Underdash

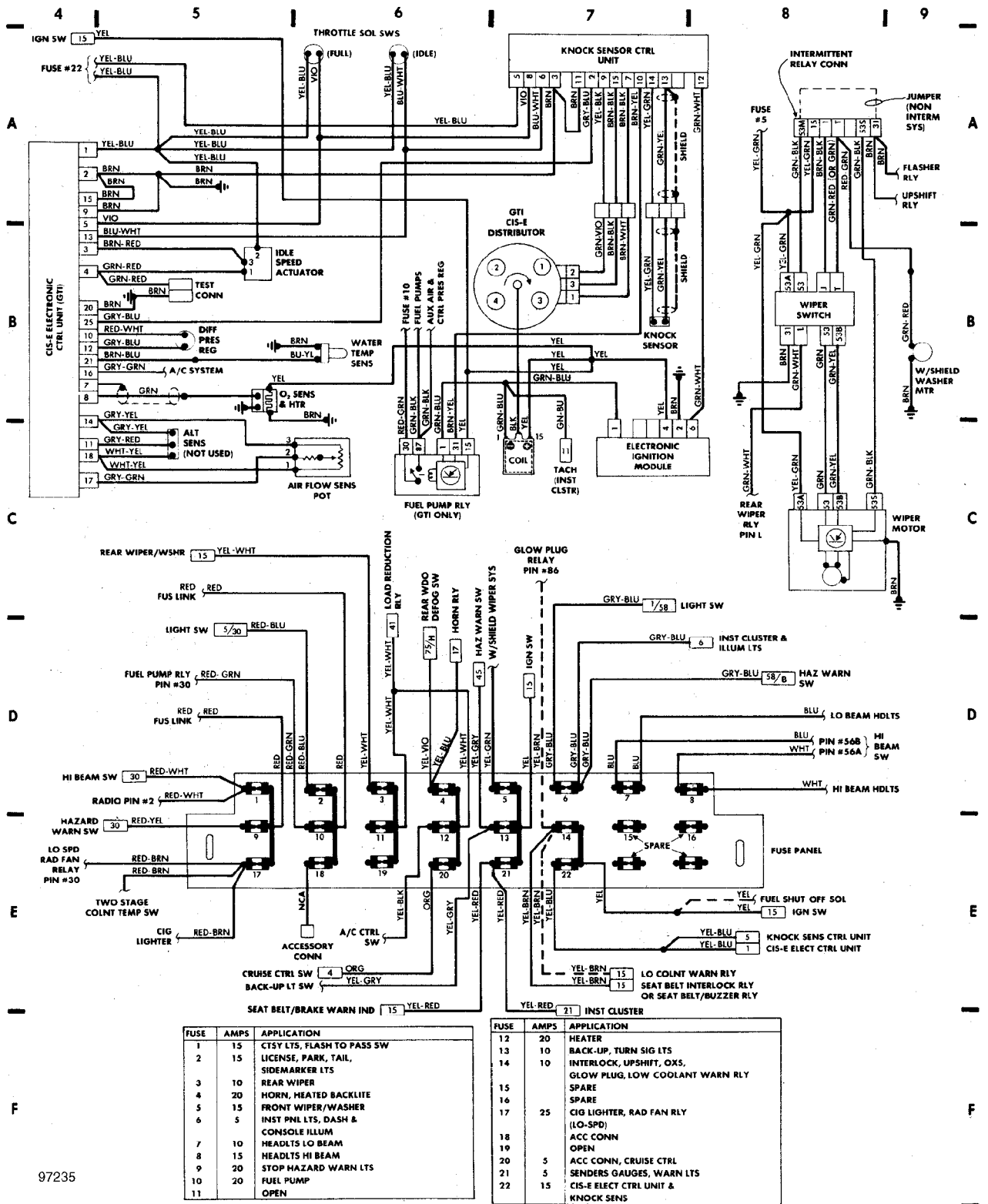
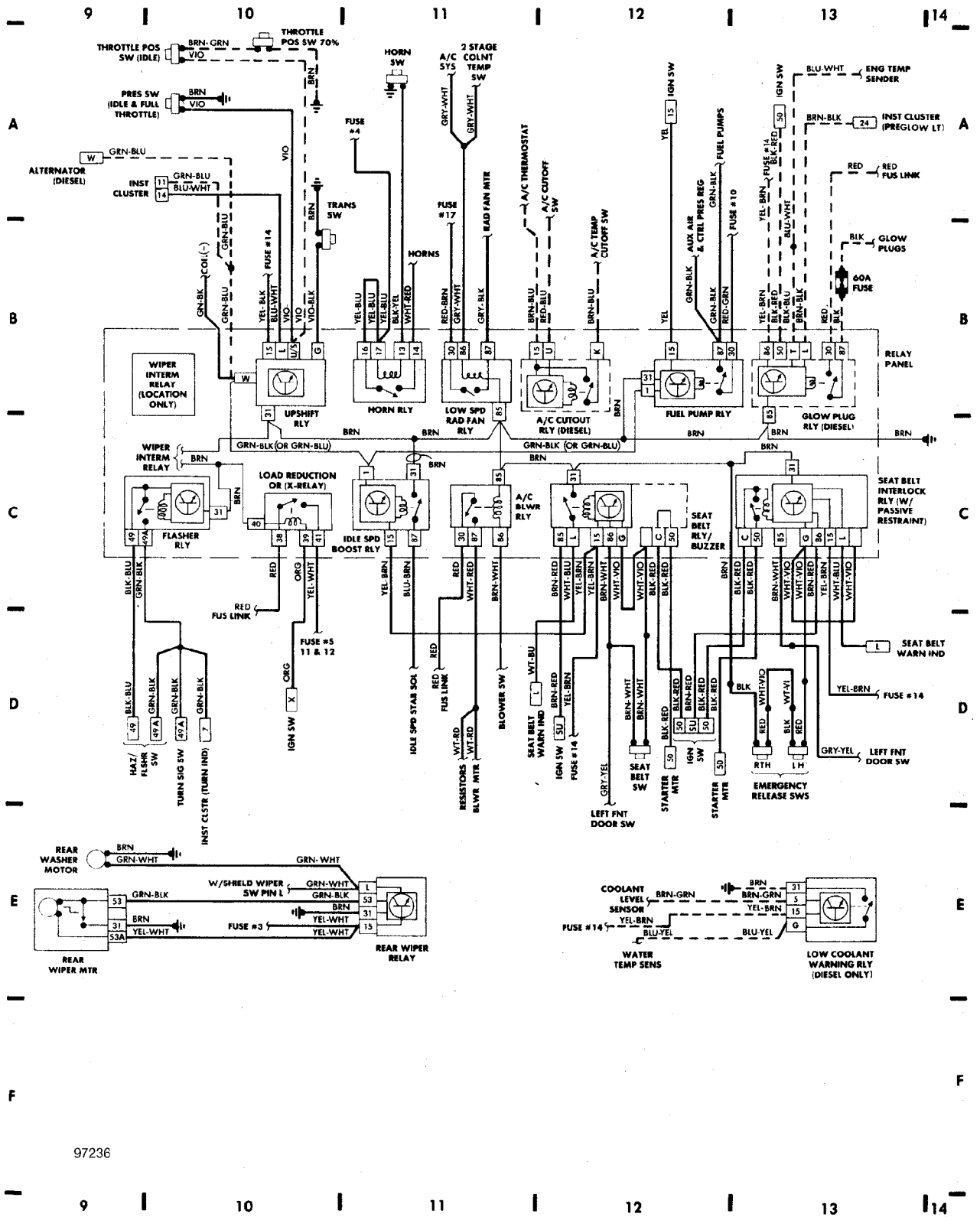


Fig. 3: Underdash (Cont.)



97236

Fig. 4: Instrument Panel

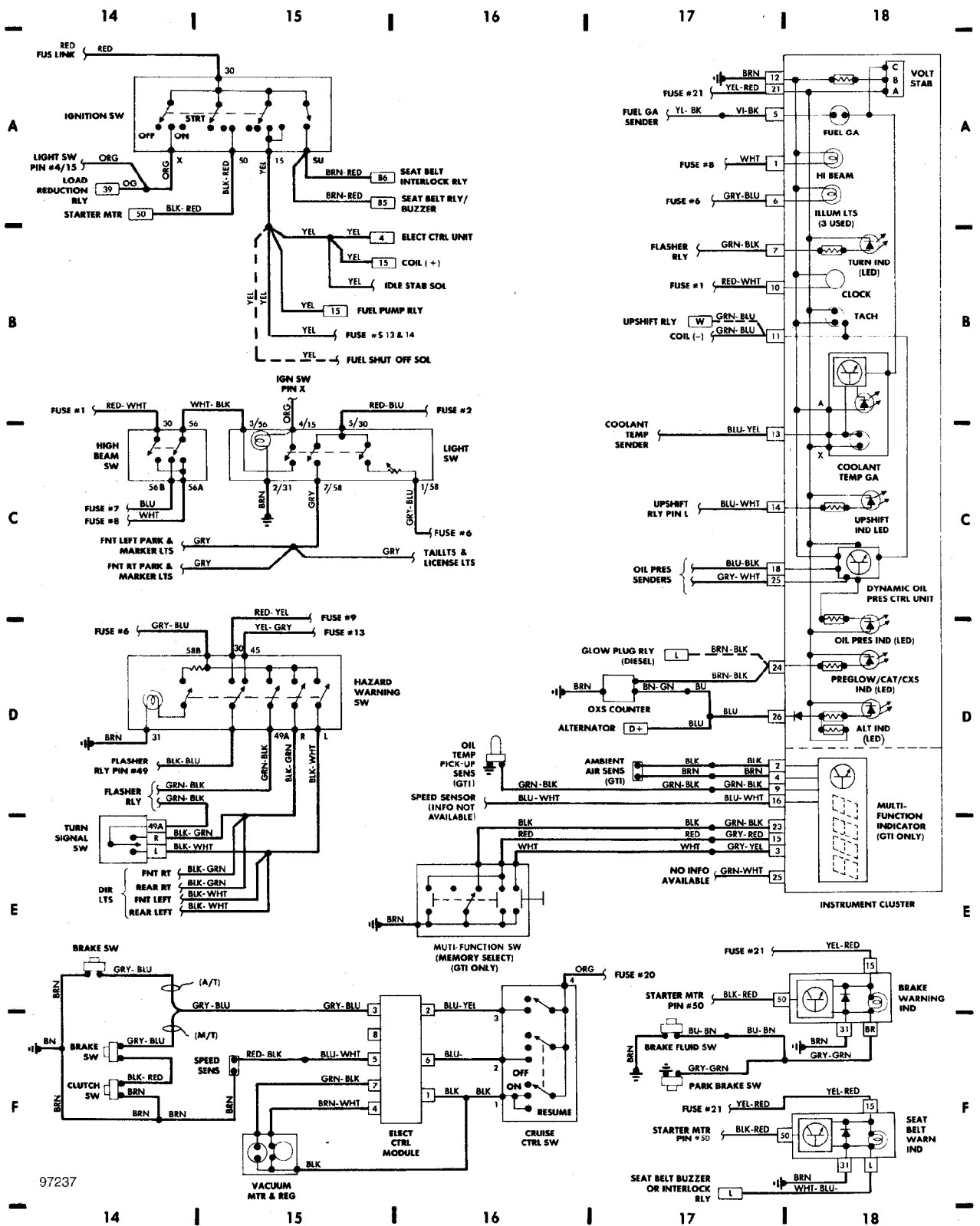


Fig. 5: Instrument Panel (Cont.) & Rear Compartment

END OF ARTICLE