

Exhaust manifold, front pipe and Three Way Catalytic Converter (TWC)

Golf, Jetta ➤ 07.95

Notes:

- ◆ After repairs be sure that the exhaust system is not under tension and that there is sufficient clearance between the exhaust system and the body.
- ◆ If necessary, loosen all clamps and align muffler and exhaust pipes for sufficient clearance and even load distribution at all mounting rings.
- ◆ Always replace self-locking nuts.

1 - Bracket

- ◆ For warm air collector plate

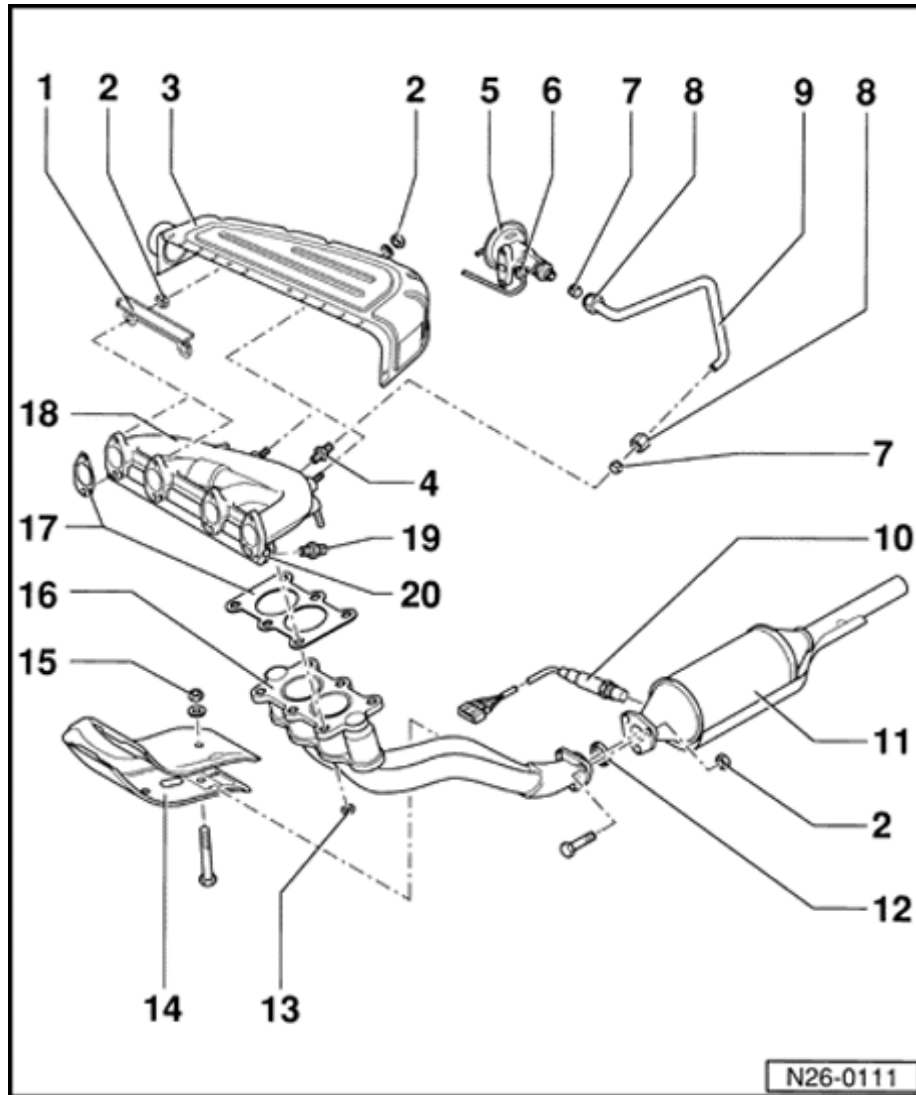
2 - 25 Nm (18 ft lb)

3 - Warm air collector plate

4 - 35 Nm (30 ft lb)

5 - Exhaust Gas Recirculation (EGR) valve

- ◆ Checking ⇒ [Page 26-14](#)



6 - EGR temperature sensor -G98-

- ◆ Checking ⇒ [Page 26-14](#)

7 - Compression ring

8 - 30 Nm (22 ft lb)

9 - EGR connecting tube

10 - Heated Oxygen Sensor (H02S)

- ◆ Tightening torque: 50 Nm (36 ft lb)
- ◆ Lubricate threads with "G5"
- ◆ Grease must not get in or near slots of sensor
- ◆ Remove and install using 3337
- ◆ Checking Repair Manual, Fuel Injection & Ignition, Repair Group 24

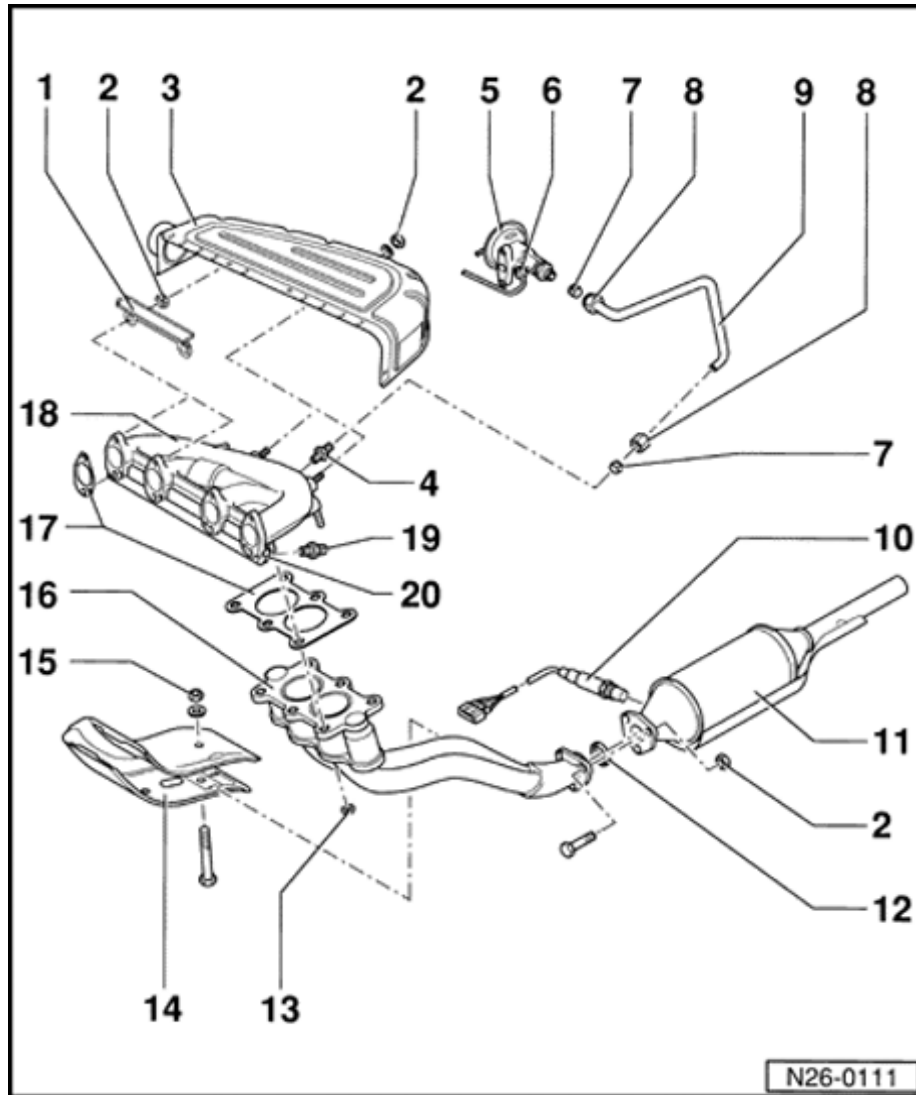
11 - Three Way Catalytic Converter (TWC)

12 - Seal

- ◆ Always replace

13 - 40 Nm (30 ft lb)

- ◆ Tightening sequence ⇒ Repair Group 26



14 - Heat shield

15 - 10 Nm (7 ft lb)

16 - Front exhaust pipe

17 - Gasket

◆ Always replace

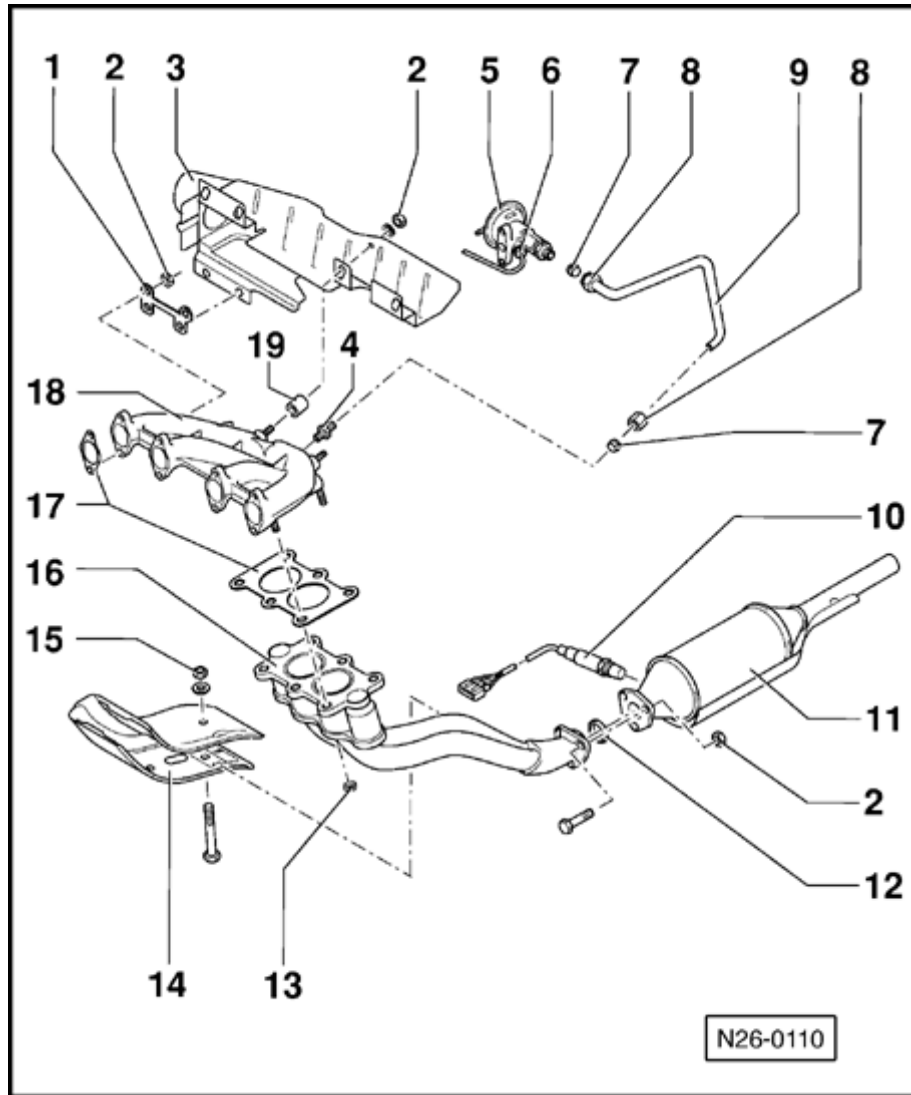
18 - Exhaust manifold

19 - 35 NM (26 ft lb)

◆ For California only

20 - Secondary Air injection (AIR) system inlet

◆ For California only



Cabrio ➤ 07.95

1 - Bracket

◆ For warm air collector plate

2 - 25 Nm (18 ft lb)

3 - Warm air collector plate

4 - 35 Nm (30 ft lb)

5 - Exhaust Gas Recirculation (EGR) valve

◆ ⇒ [Page 26-13](#) , item - 8 -

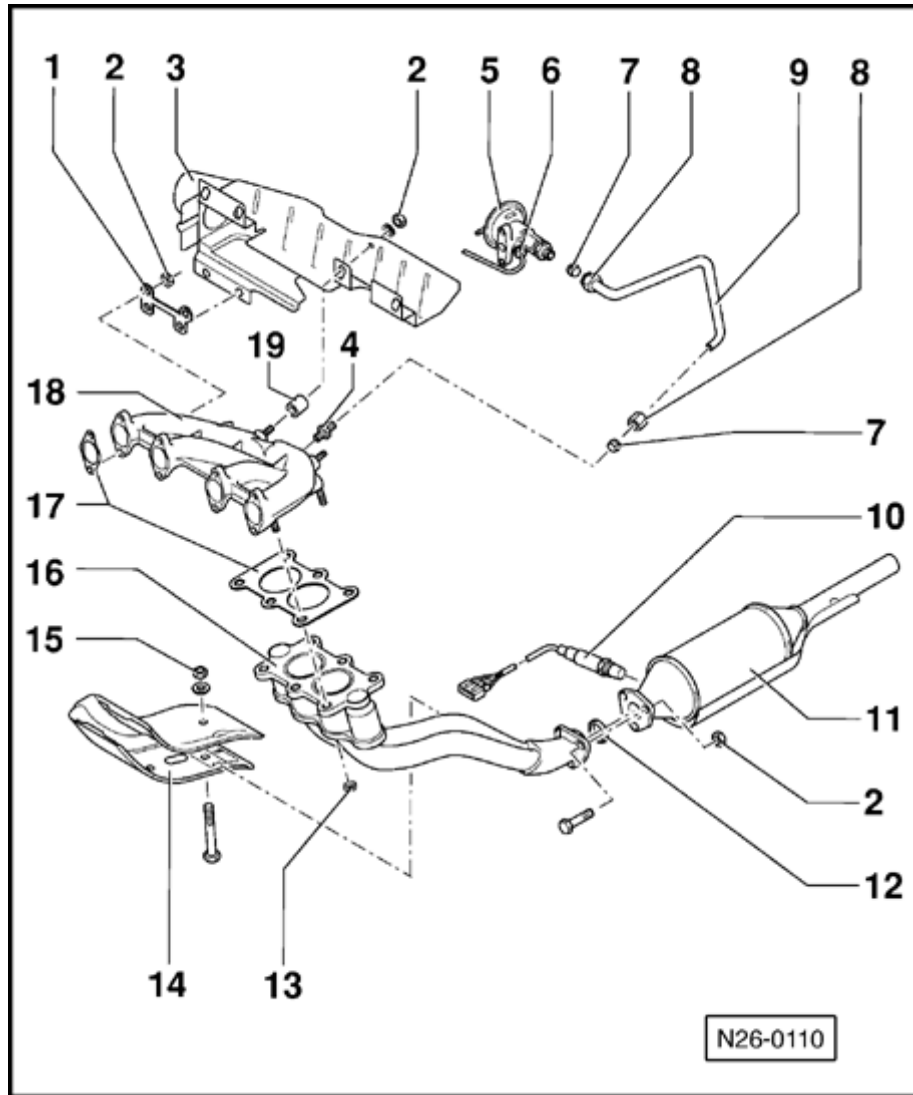
6 - EGR temperature sensor

◆ ⇒ [Page 26-12](#) , item - 2 -

7 - Compression ring

8 - 30 Nm (22 ft lb)

9 - EGR tube



10 - Heated Oxygen Sensor (H02S)

- ◆ Tightening torque: 50 Nm (36 ft lb)
- ◆ Lubricate threads with "G5"
- ◆ Grease must not get in or near slots of sensor
- ◆ Checking Repair Manual, Fuel Injection & Ignition, Repair Group 24

11 - Three Way Catalytic Converter (TWC)

12 - Seal

- ◆ Always replace

13 - 40 Nm (30 ft lb)

14 - Heat shield

15 - 10 Nm (7 ft lb)

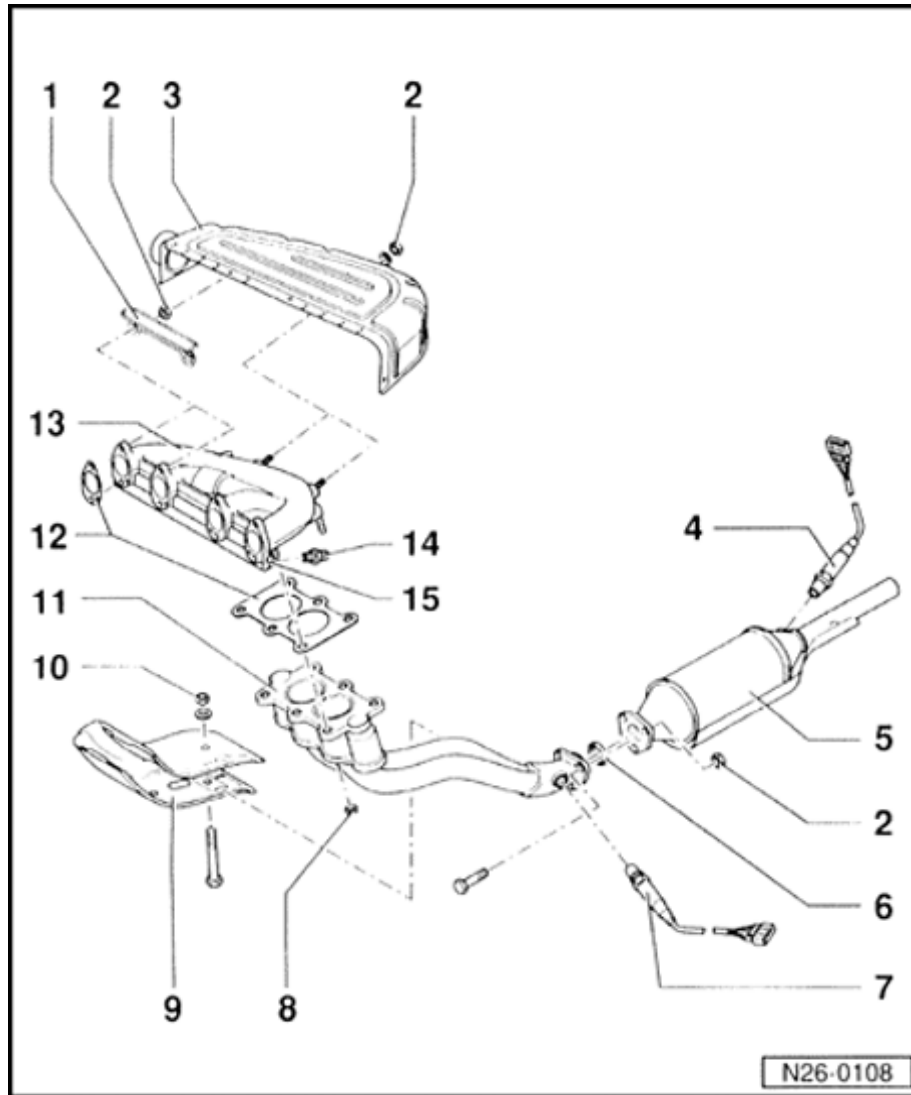
16 - Front exhaust pipe

17 - Gasket

- ◆ Always replace

18 - Exhaust manifold

19 - Spacer bushing



Golf, Jetta 08.95 ➤

1 - Bracket

- ◆ For warm air collector plate

2 - 25 Nm (18 ft lb)

3 - Warm air collector plate

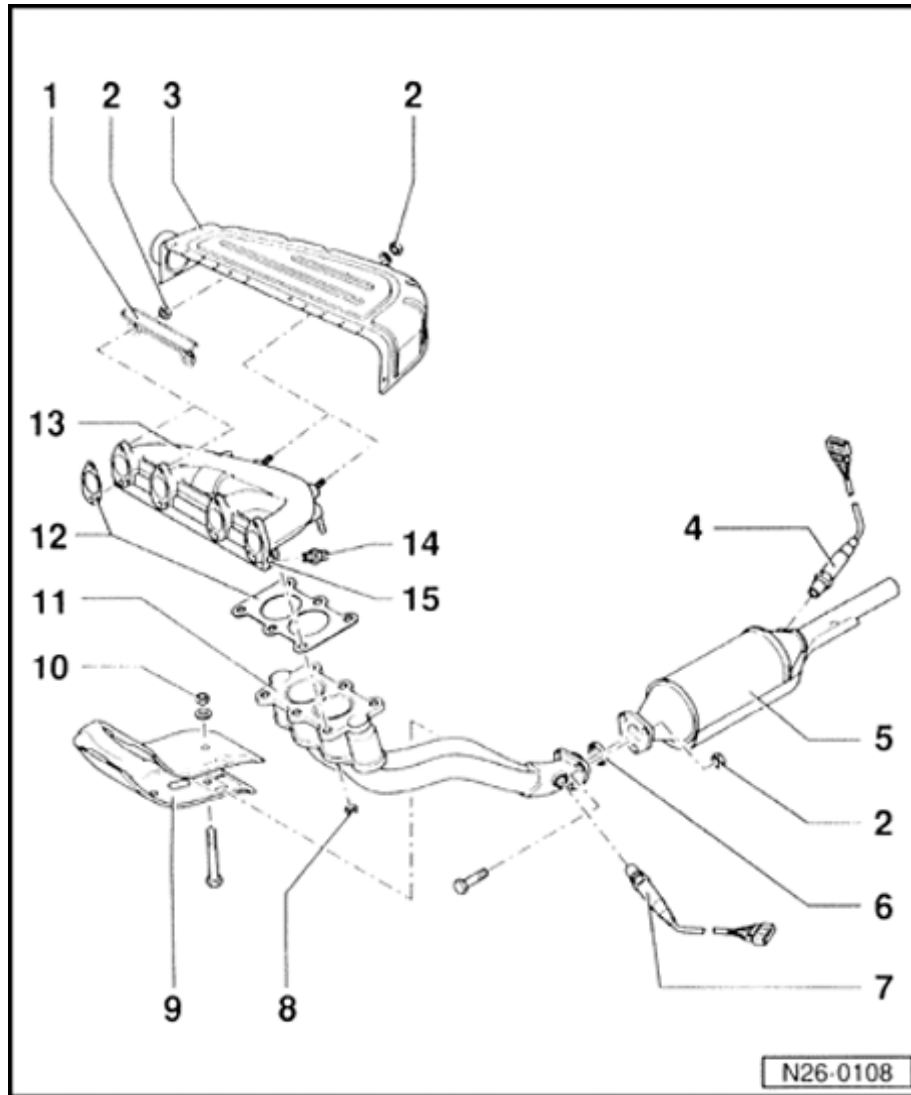
4 - Heated Oxygen Sensor 2 (H02S)

- ◆ Tightening torque: 50 Nm (36 ft lb)
- ◆ Installation location: after three way catalytic converter
- ◆ Lubricate threads with "G5"
- ◆ Grease must not get in or near slots of sensor
- ◆ Checking Repair Manual, Fuel Injection & Ignition, Repair Group 24

5 - Three Way Catalytic Converter (TWC)

6 - Seal

- ◆ Always replace



7 - Heated Oxygen Sensor 1 (H02S)

8 - 40 Nm (30 ft lb)

9 - Heat shield

10 - 10 Nm (7 ft lb)

11 - Front exhaust pipe

12 - Gasket

◆ Always replace

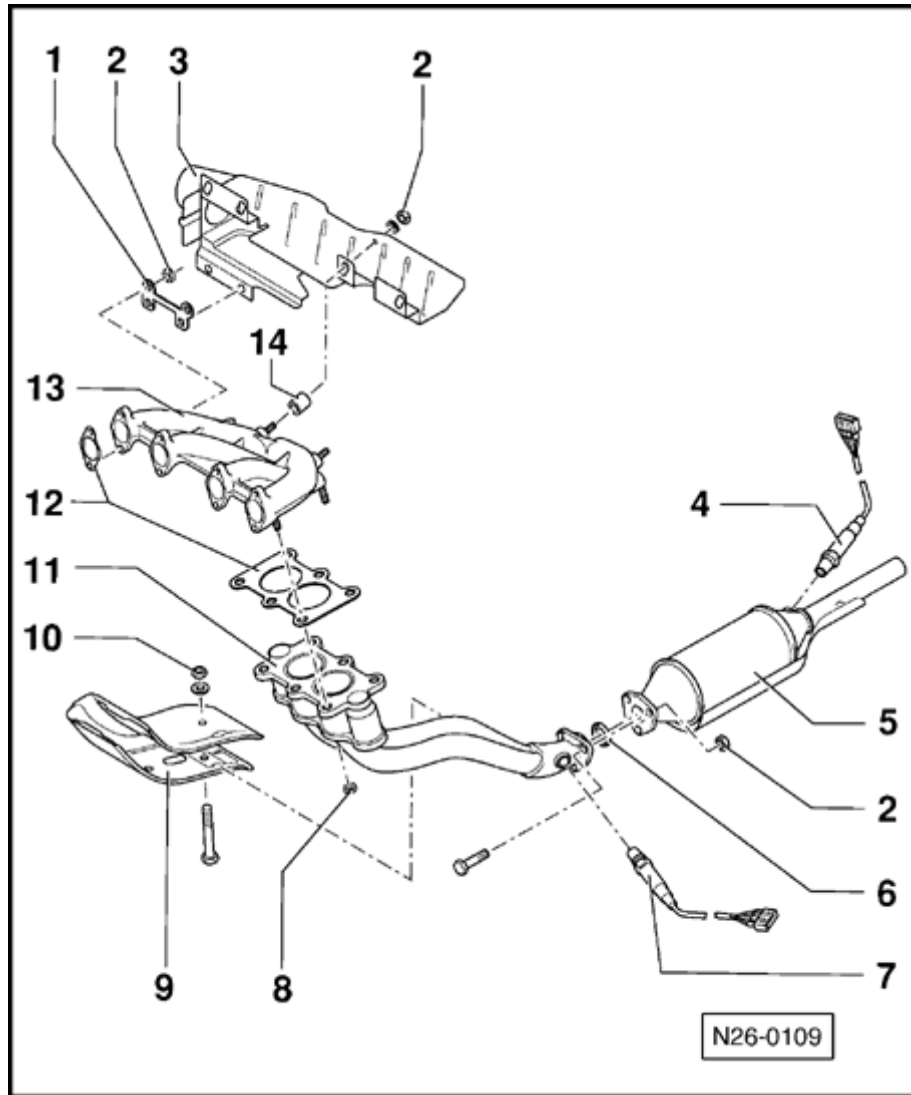
13 - Exhaust manifold

14 - 35 Nm (26 ft lb)

◆ For California only

15 - Secondary Air injection (AIR) system inlet

◆ For California only



Cabrio 08.95 ➤

1 - Bracket

- ◆ For warm air collector plate

2 - 25 Nm (18 ft lb)

3 - Warm air collector plate

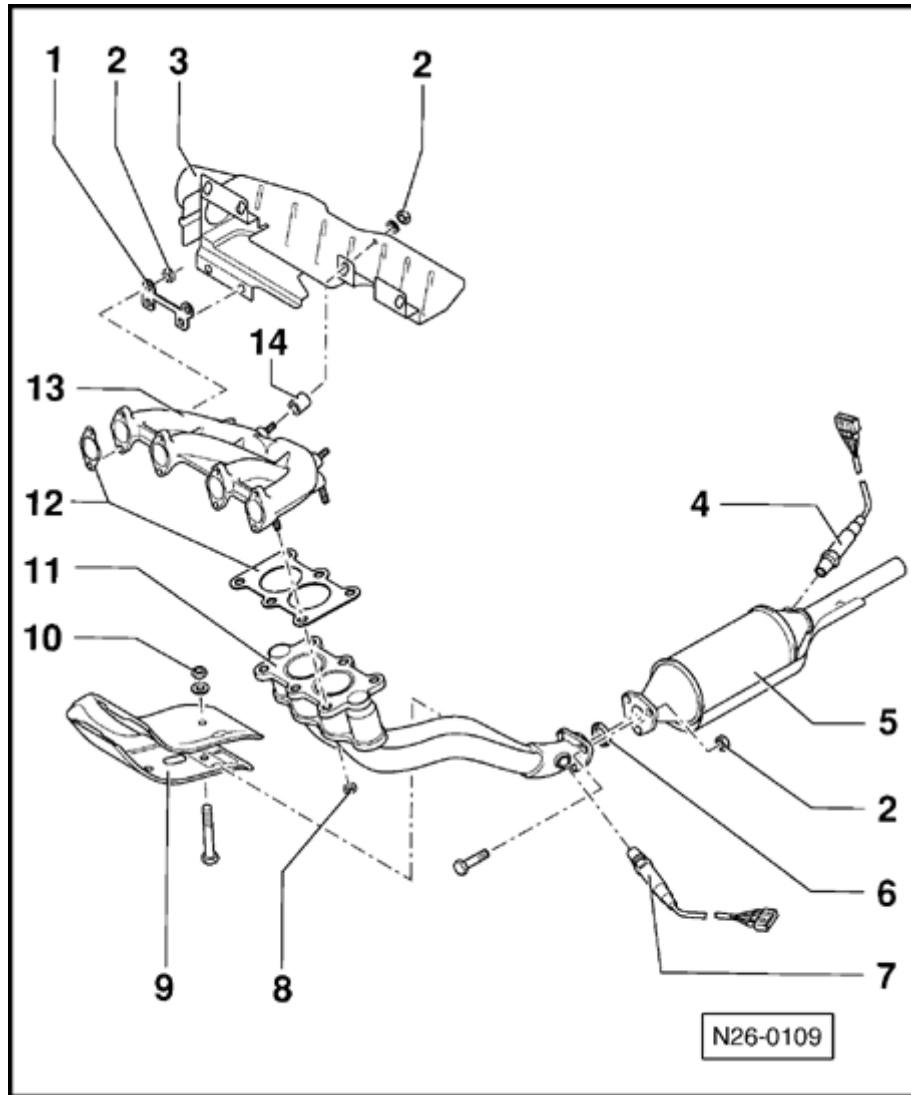
4 - Heated Oxygen Sensor 2 (H02S)

- ◆ Tightening torque: 50 Nm (36 ft lb)
- ◆ Installation location: after three way catalytic converter
- ◆ Lubricate threads with "G5"
- ◆ Grease must not get in or near slots of sensor
- ◆ Checking Repair Manual, Fuel Injection & Ignition, Repair Group 24

5 - Three Way Catalytic Converter (TWC)

6 - Seal

- ◆ Always replace



7 - Heated Oxygen Sensor 1 (H02S)

- ◆ Tightening torque: 50 Nm (36 ft lb)
- ◆ Installation location: before three way catalytic converter
- ◆ Lubricate threads with "G5"
- ◆ Grease must not get in or near slots of sensor
- ◆ Checking Repair Manual, Fuel Injection & Ignition, Repair Group 24

8 - 40 Nm (30 ft lb)

9 - Heat shield

10 - 10 Nm (7 ft lb)

11 - Front exhaust pipe

12 - Gasket

- ◆ Always replace

13 - Exhaust manifold

14 - Spacer bushing