

Muffler assembly and mountings

Note:

The exhaust system must be aligned lengthwise at -A- and -C- according to dimensions -b- and -c- ⇒ items - 7 - and - 10 -, ⇒ [Page 26-11](#) .

1 - 40 Nm (30 ft lb)

2 - Locking clamp

3 - Intermediate pipe

4 - Bracket

5 - 25 Nm (18 ft lb)

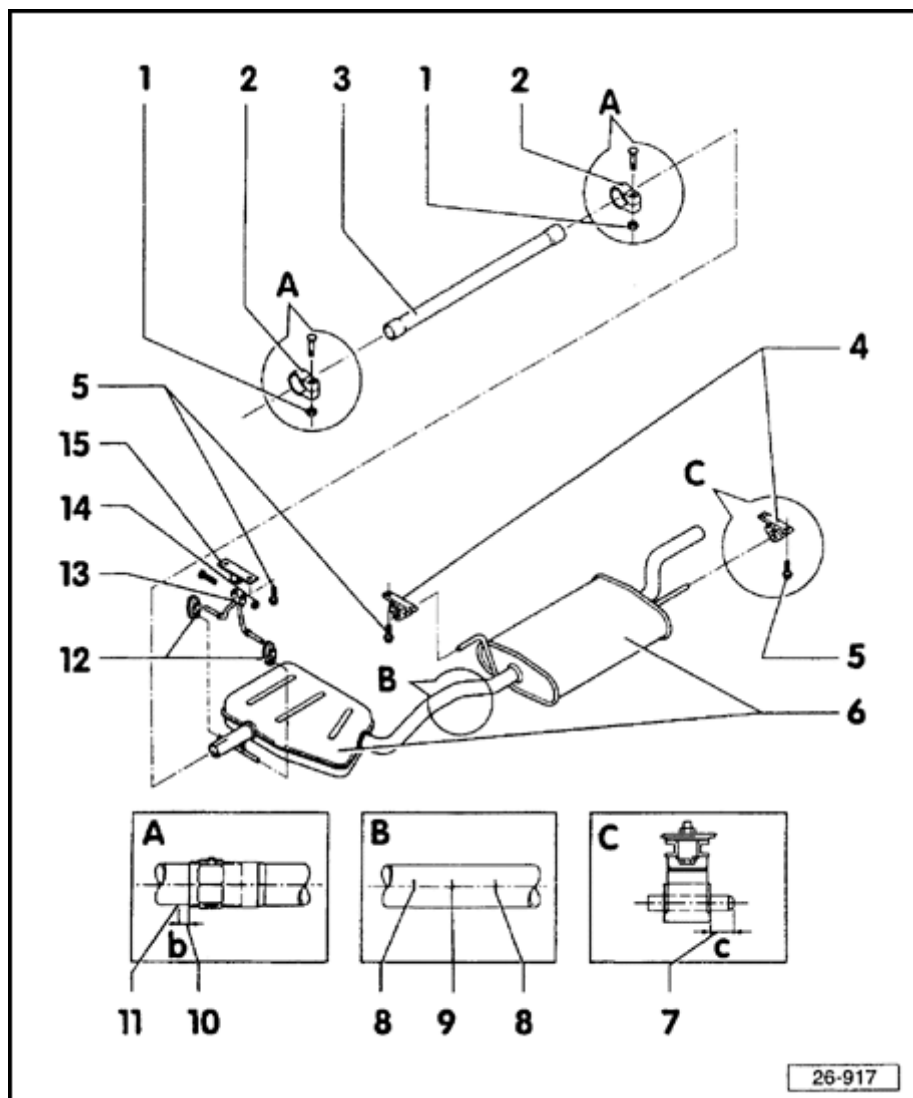
6 - Front and rear muffler

◆ Available as separate replacement parts

- Cut connecting pipe at right angle at point -10- ⇒ inset -A-

- Connect front and rear muffler with double clamp

- Slide double clamps toward mark -8- ⇒ inset -B-



7 - Dimension -c-

- ◆ Approx. 10 mm (0.39 in.)

8 - Marking for double clamp (to be used when replacing one of the mufflers)

- ◆ Marked three times on pipe circumference

9 - Cutting point

10 - Dimension -b-

- ◆ Approx. 5 mm (0.20 in.)

11 - Marking

- ◆ Marked three times on pipe circumference

12 - Retaining ring

13 - Bracket

14 - 20 Nm (15 ft lb)

15 - Bracket