

Volkswagen Corrado 1990 - 1994

Suspension

Rear Wheel Suspension Shafts and Axle (Page GR-42)

Axle beam bushings

- [removing/installing](#)

Axle beam mounting bracket

- [installing](#)

Axle mounting

- [repairing](#)

Cover ring

- [installed position](#)

Grease cap

- [removing/installing](#)

Outer/inner wheel bearing

- [outer races, installing](#)

Rear axle

- [assembly](#)
- [installing](#)

Seal

- [installing](#)

Stub axle/disc brake

- [assembly](#)

Support

- [installed position](#)

Suspension strut

- [assembly](#)
- [removing/installing](#)

Wheel bearing play

- [adjusting](#)

Volkswagen Corrado 1990 - 1994

Suspension

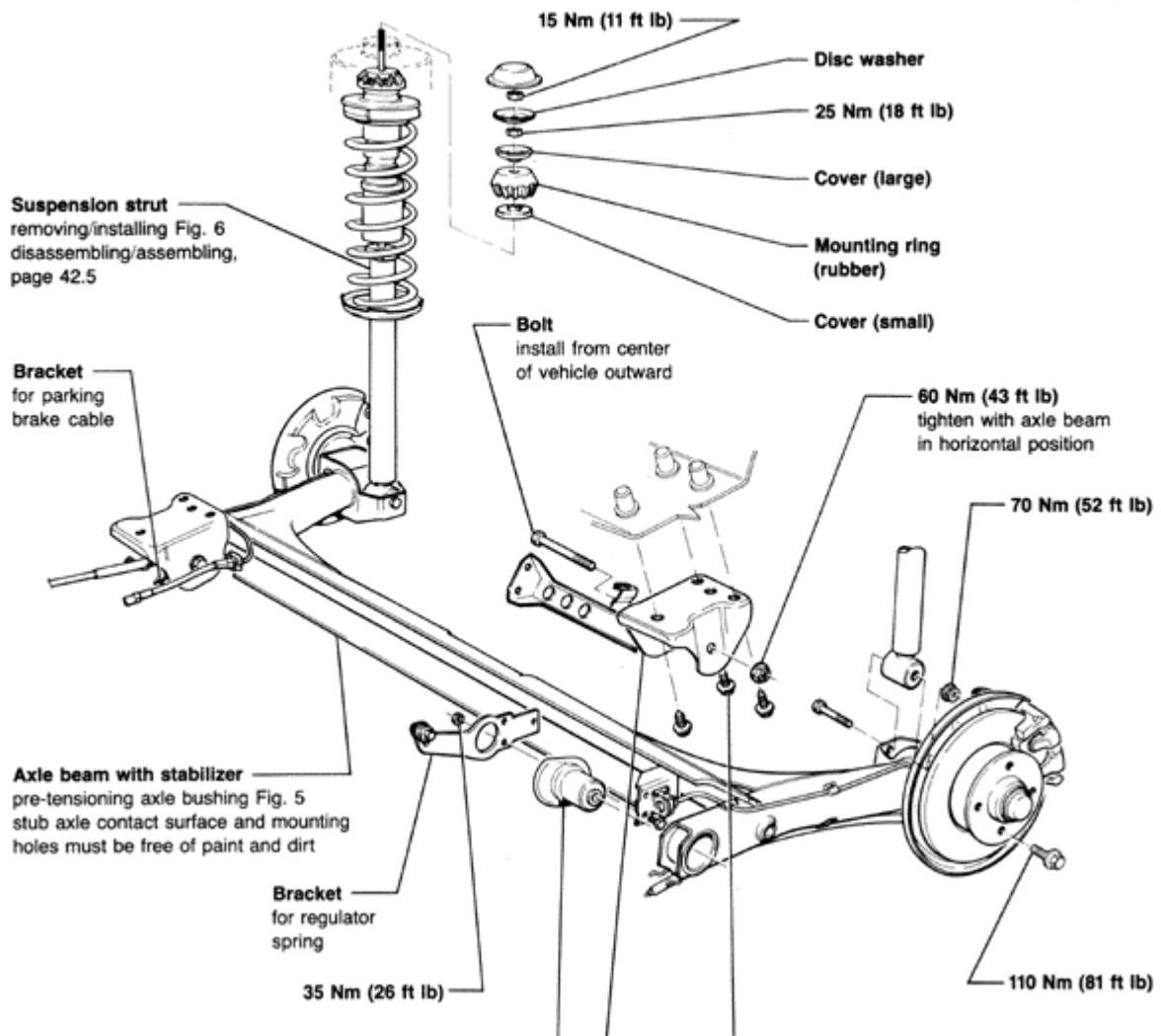
Rear Wheel Suspension, Shafts and Axle (Page 42-2)

CAUTION!

Do not attempt to weld or straighten rear axle beam or stub axles.

WARNING!

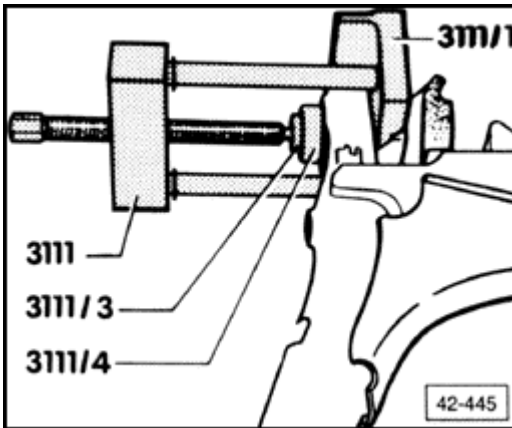
Do not re-use any fasteners that are worn or deformed in normal use. Many fasteners are designed to be used only once and become unreliable and may fail when used a second time. This includes, but is not limited to, nuts, bolts, washers, self-locking nuts or bolts, circlips, cotter pins. Always replace these fasteners with new parts.



Volkswagen Corrado 1990 - 1994

Suspension

Rear Wheel Suspension, Shafts and Axle (Page 42-3)



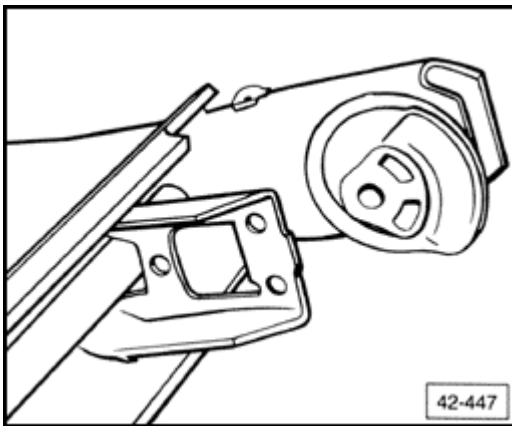
A

Fig. 1 Axle beam bushings, removing

Notes

Before using tool 3111, lubricate spindle with MoS_2 grease.

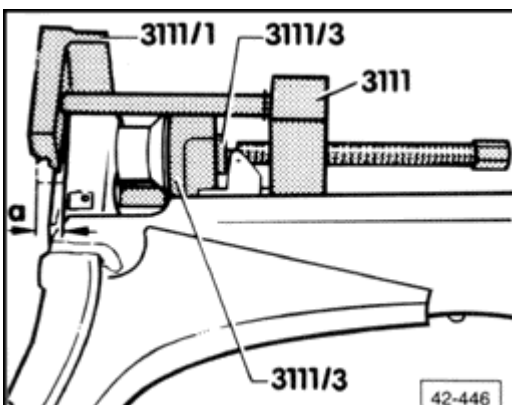
Remove any corrosion from area surrounding bushing before pressing out.



A

Fig. 2 Axle beam bushing, installed position

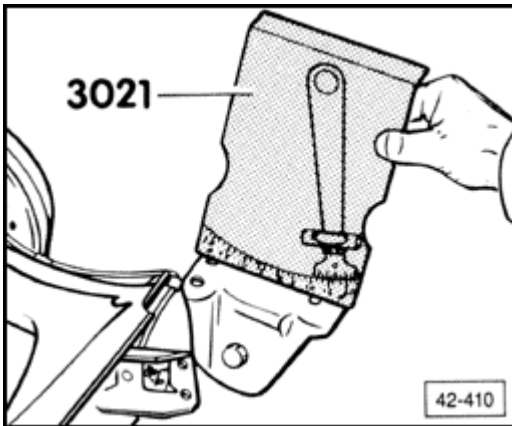
- protruding rubber/metal segment must point toward front of vehicle



A

Fig. 3 Axle beam bushing, installing

- cylindrical part of bushing must protrude 8 mm
a = 8 mm (0.315 in.)



A

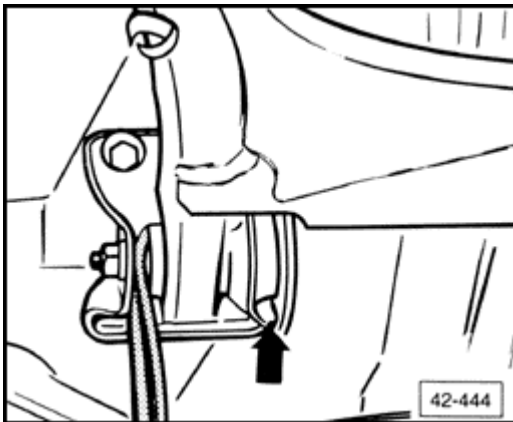
Fig. 4 Axle beam mounting bracket, installed

- angle of bracket on axle = $12^{\circ} 30' + 1^{\circ}$

Volkswagen Corrado 1990 - 1994

Suspension

Rear Wheel Suspension, Shafts and Axle (Page 42-4)

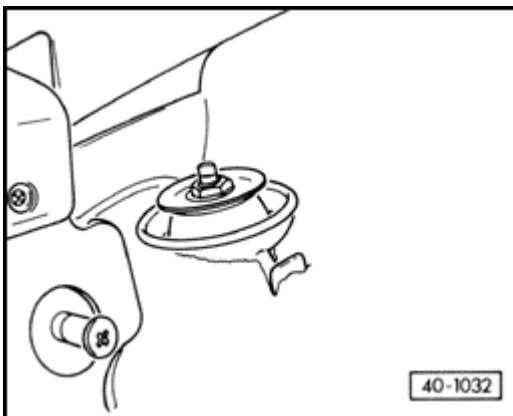


A

Fig. 5 Rear axle beam, installing

The axle bushing must be pre-tensioned in the installation position.

- install all mounting bolts
- align mounting bracket on right side so mounting bolts are in center of slots
- using two prybars, push left mounting bracket against bushing, leaving only a slight gap (**arrow**) on inside of bushing
- tighten mounting bolts to 70 Nm (52 ft lb) in this position



A

Fig. 6 Suspension strut, removing/installing

WARNING!

Wear safety glasses.

CAUTION!

Do not tilt drill.

Axle mounting, repairing

- remove rear axle
- drill through damaged cap nut in long member with 10.2 mm drill bit
- cut new M12 x 1.5 in cap nut

- use new bolt, part number **N 10 127.4** (M12 x 1.5 x 30), and washer, part number **N 11 531.7** , to attach rear axle
- torque bolts to 70 Nm (52 ft lb)

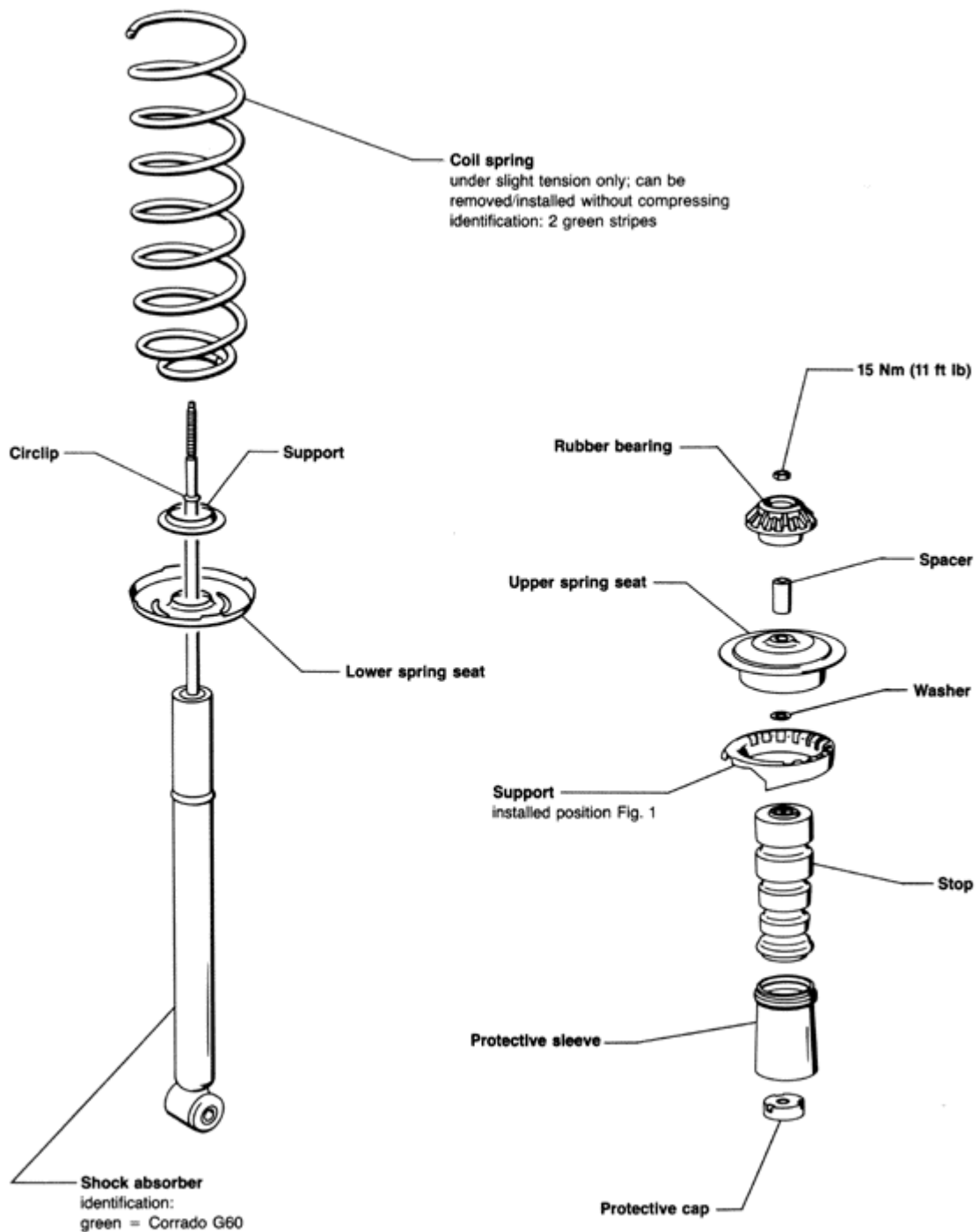
Volkswagen Corrado 1990 - 1994

Suspension

Rear Wheel Suspension, Shafts and Axle (Page 42-5)

Notes

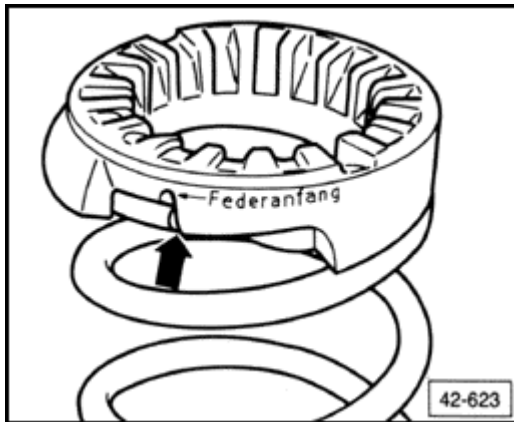
During repairs check that protective sleeve is properly installed. Missing or broken sleeves will allow dirt and water to enter shock absorber causing premature damage.



Volkswagen Corrado 1990 - 1994

Suspension

Rear Wheel Suspension, Shafts and Axle (Page 42-6)

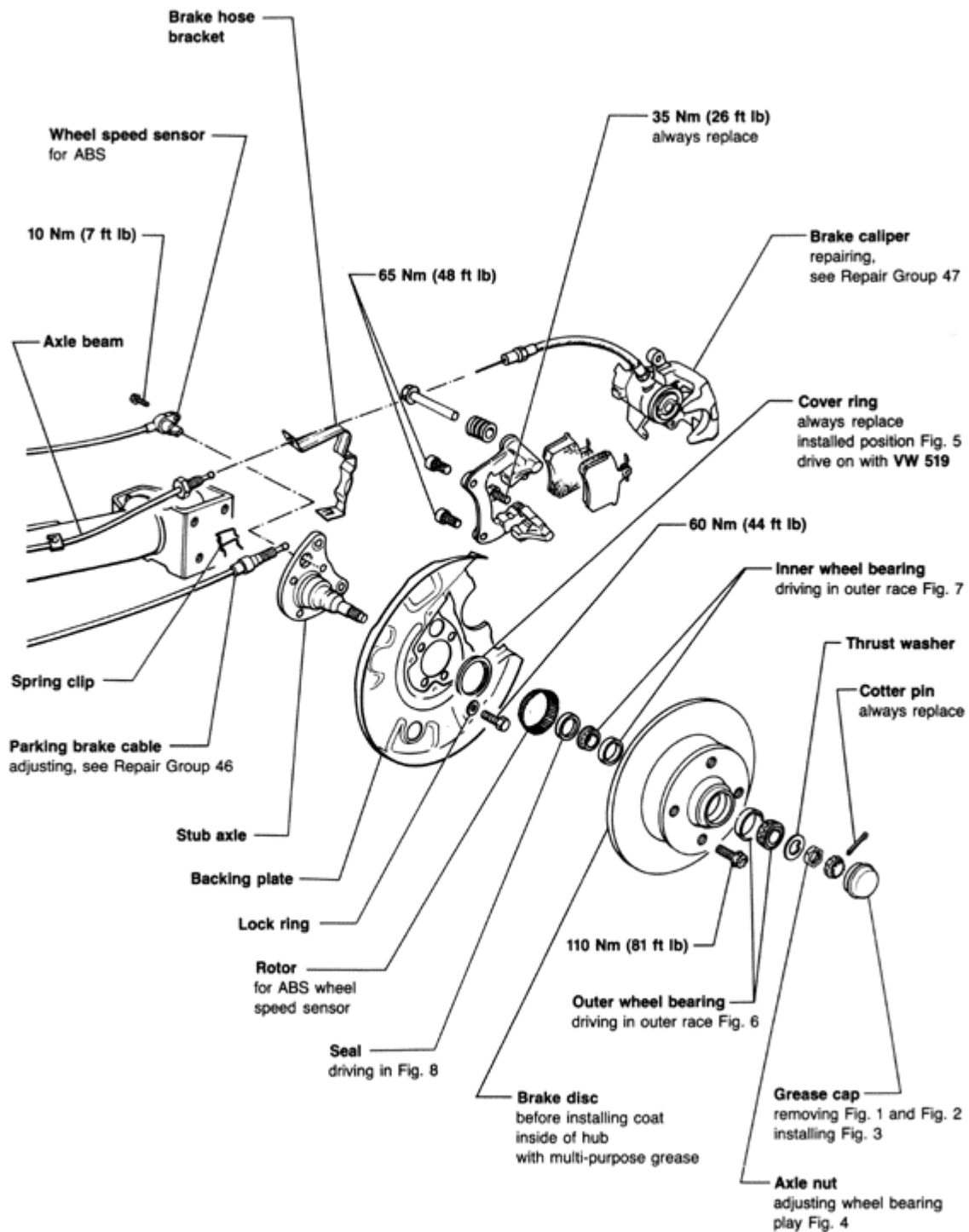


A

Fig. 1 Support, installed position

"Federanfang" = start of spring (**arrow**)

Volkswagen Corrado 1990 - 1994
 Suspension
 Rear Wheel Suspension, Shafts and Axle (Page 42-7)



42-654

WARNING!

Do not re-use any fasteners that are worn or deformed in normal use.

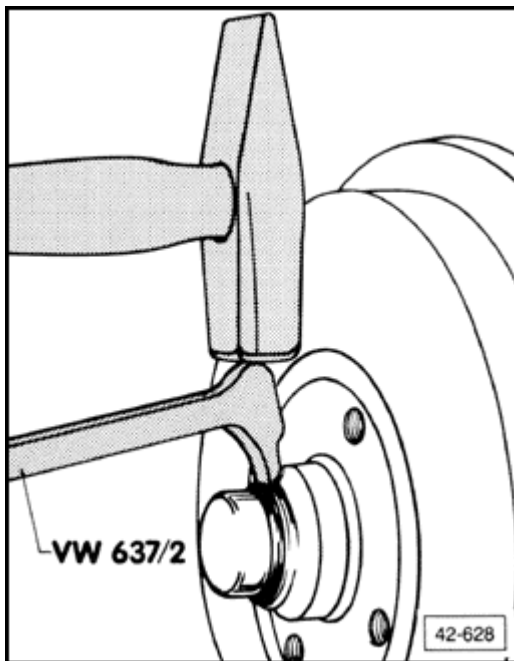
Many fasteners are designed to be used only once and become unreliable and may fail when used a second time. This includes, but is not limited to, nuts, bolts, washers, self-

locking nuts or bolts, circlips, cotter pins. Always replace these fasteners with new parts.

Volkswagen Corrado 1990 - 1994

Suspension

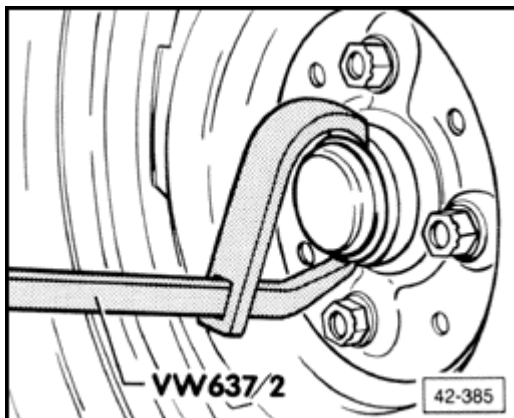
Rear Wheel Suspension, Shafts and Axle (Page 42-8)



A

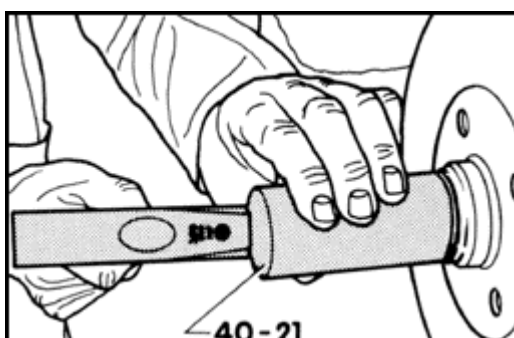
Fig. 1 Grease cap, removing

- loosen cap from seat by lightly striking **VW 637/2**



A

Fig. 2 Grease cap, removing



A

Fig. 3 Grease cap, installing

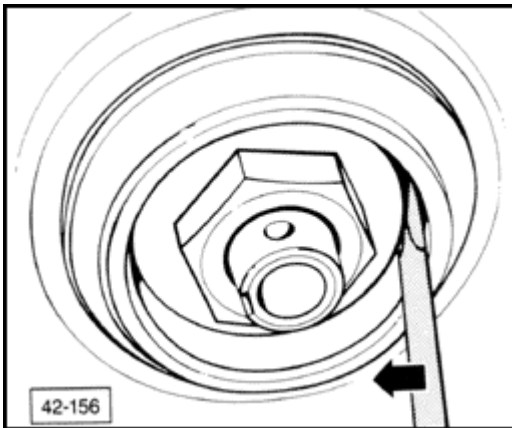
CAUTION!

Damaged (dented) grease caps allow water to enter. Always use 40-21 or equivalent to install grease cap.

Volkswagen Corrado 1990 - 1994

Suspension

Rear Wheel Suspension, Shafts and Axle (Page 42-9)



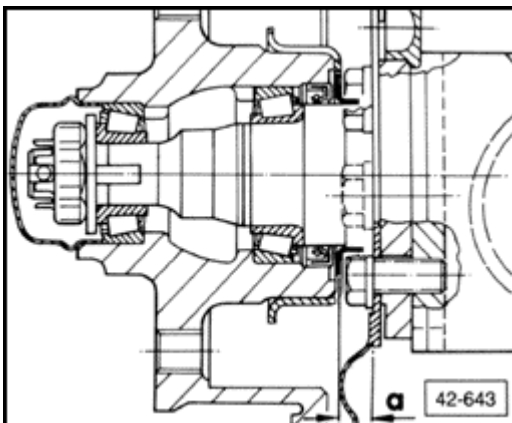
▲

Fig. 4 Wheel bearing play, adjusting

- thrust washer must be movable using finger pressure against a screwdriver without prying

CAUTION!

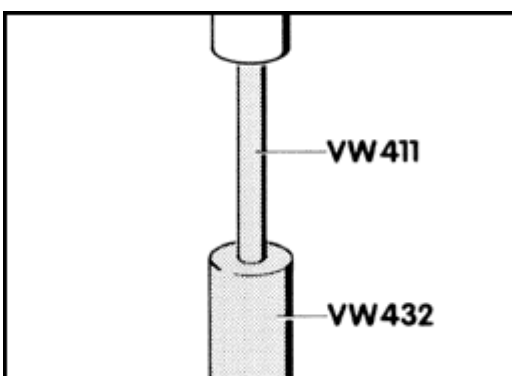
Always use a new cotter pin to secure lock nut and bearing.



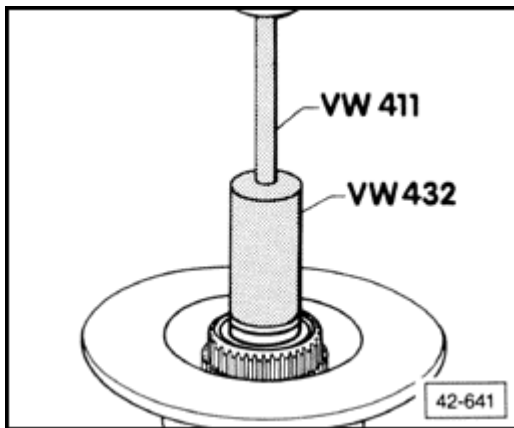
▲

Fig. 5 Cover ring, installed position

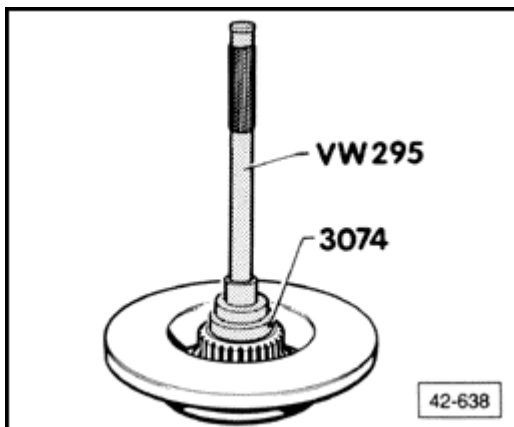
- dimension $a = 9.5 \text{ mm}$ (0.373 in.)



Volkswagen Corrado 1990 - 1994
Suspension
Rear Wheel Suspension, Shafts and Axle (Page 42-10)



A
Fig. 7 Inner wheel bearing outer race, installing



A
Fig. 8 Seal, installing